

零件手册使用说明

1. 本手册适用于封面上所示不同系列的缝纫机。
2. 本手册为 2002 年 11 月的版本。
3. 部分零件设计上的改变不预先通知用户。
4. 用 [] 部分属于组件部分。

目 录

A. 机壳部分	1	M. 润滑部分	19
B. 上轴机构	3	N1 夹线机构	23
C. 针杆机构	5	P. 松线部件 (自动剪线用)	25
D. 压脚机构	7	T. 传感器机构	25
E. 送料机构	9	Q. 自动剪线机构	27
F. 针组零件	11	R. 拔线机构 (自动剪线用)	31
J. 送料轴机构	11	Z1. 附件部分	33
H. 倒缝机构	13	Z2. 附件部分	37
V. 倒缝开关组件	13	Wa. 警告标志	39
K. 下轴机构	15		
L. 旋梭机构	17		

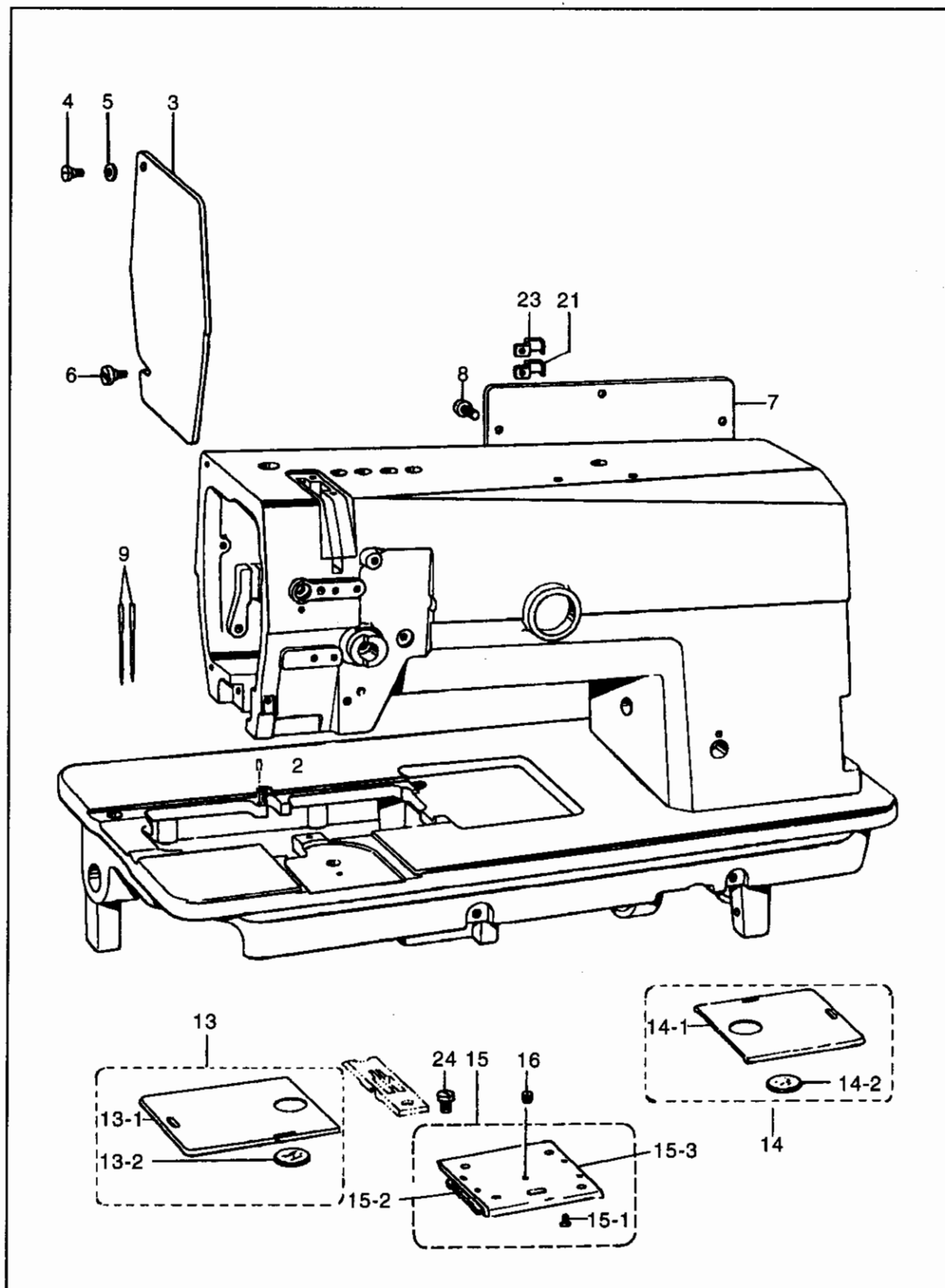
Notes for using this parts book.

- 1.This book is applicable to sewing machines which have the same plate number as shown on the cover of this book(or correction sheet).
- 2.This book was prepared based on information available in November 2002.
- 3.Parts are subject to changes in design without prior notice.
- 4.Parts supplied as complete assemblies are circled by a dotted line []

CONTENTS

A.Machine body.....	1	M.Lubrication.....	19
B.Upper shaft mechanism.....	3	N1.Threading mechanism.....	23
C.Needle bar rocking mechanism.....	5	P. Tension release mechanism	
D.Presser foot mechanism.....	7	(Thread Trimmer).....	25
E.Feed mechanism.....	9	T.Synchronizer.....	25
F.Gauge parts.....	11	Q.Thread trimmer mechanism.....	27
J.Feed shaft mechanism.....	11	R.Thread wiper mechanism	
H.Quick reverse mechanism.....	13	(Thread Trimmer).....	31
V.Quick reverse switch mechanism.....	13	Z1.Accessories.....	33
K.Lower shaft mechanism.....	15	Z2.Accessories.....	37
L.Rotary hook mechanism.....	17	Wa. Warning labels.....	39

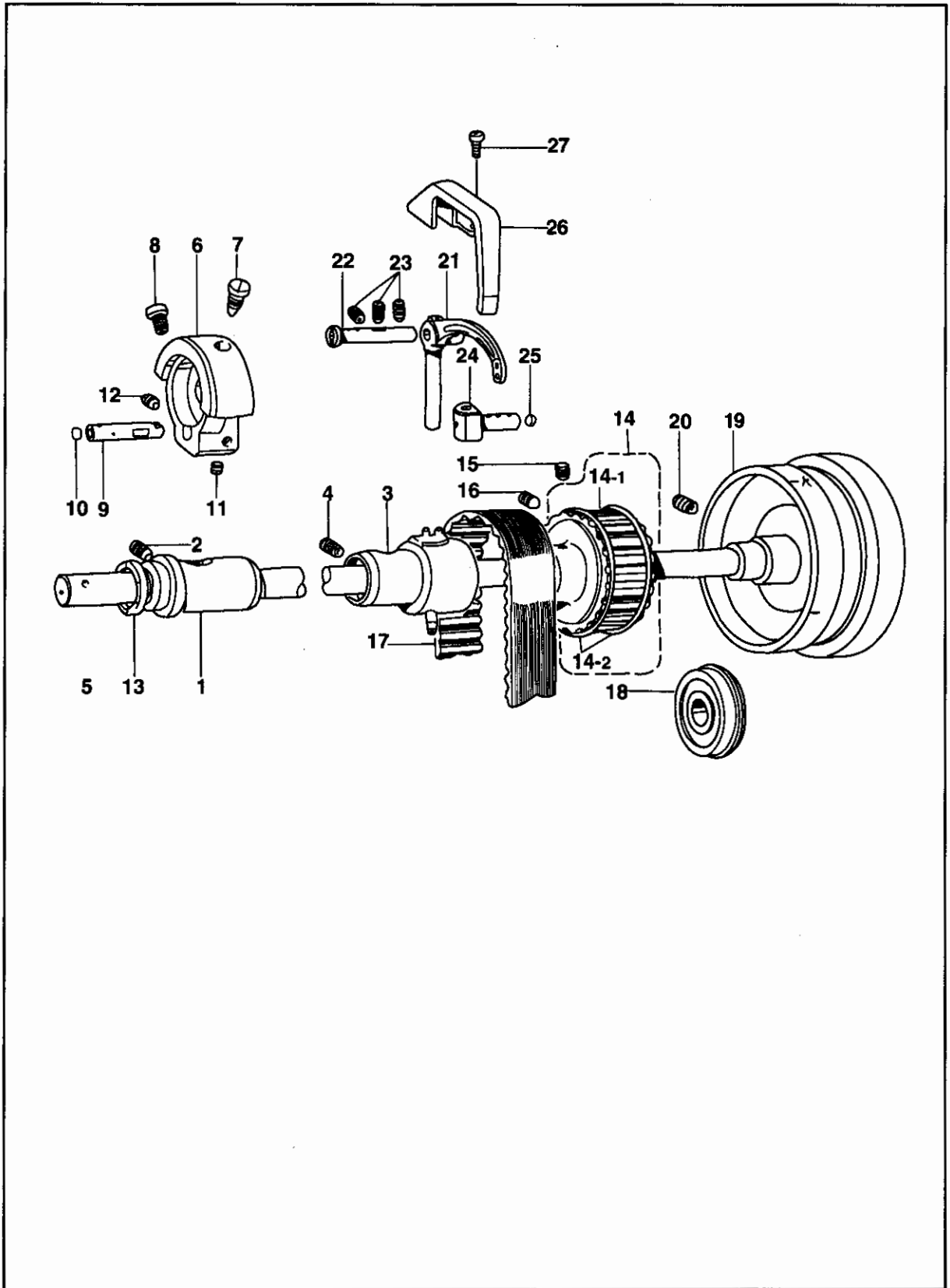
A 机壳部分 / Machine body



A 机壳机构 / Machine body

序号	件号	数量	名称	NAME OF PARTS	备注
2	PS-0180101	1	针板销	POSITING PIN	
3	201-0060	1	面板	FACE PLATE	
4	SD-6090840	1	面板上螺钉	SHOULDER SCRING, SM3.57	
5	WP-05305	1	面板上螺钉垫圈	WASHER, SPRING	
6	SD-8090840	1	面板下螺钉	SCREW,SM3.57	
7	201-0110	1	侧盖板	REAR COVER	
8	SS-4111040	7	侧盖板螺钉	SCREW,PAN SM4.37-40 × 10	
9		2	机针 DPX5(#14)	NEEDLE DP(#14)	
9		2	<“-5”用> 机针 DP(#22)	<FOR“-5”> NEEDLE DP(#22)	
13	201-0455	1	左推板组件	SLIDE PLATE ASSY(L)	
13-1	201-0460	1	左推板	SLIDE PLATE(L)	
13-2	201-0470	1	透视窗	BOBBIN WINDOW	
14	201-0485	1	右推板组件	SLIDE PLATE ASSY(R)	
14-1	201-0490	1	右推板	SLIDE PLATE(R)	
14-2	201-0470	1	透视窗	BOBBIN WINDOW	
15	201-0515	1	横推板组件	SLIDE PLATE ASSY(F)	
15-1	SS-5060210	4	横推板螺钉	SCREW,FLAT SM3.18 × 4	
15-2	201-0530	1	横推板簧(左)	SLIDE PLATE SPRING(L)	
15-3	201-0540	1	横推板簧(右)	SLIDE PLATE SPRING(R)	
16	SS-2130432	1	横推板紧定螺钉	SET SCREW,SM5.16	
21	211-0020	2	<自动剪线专用> 电线压板	<FOR TR.&QUICK REVERSE> CORD HOLDER(L)	
23	211-0020	1	电线压板	CORD HOLDER(L)	
900-1		1	<警告标志> 中文操作标牌	<WARNING LABEL> LABEL, OPRATION CHINA	
900-2		1	英文操作标牌	LABEL, OPRATION ENG	
901		1	危险标志	MARK,INJURY	
903		1	箭头标志	LABEL,ARROW	
905		1	接地标志	LABEL, GROUNDING	

B 上轴机构 / Upper shaft mechanism



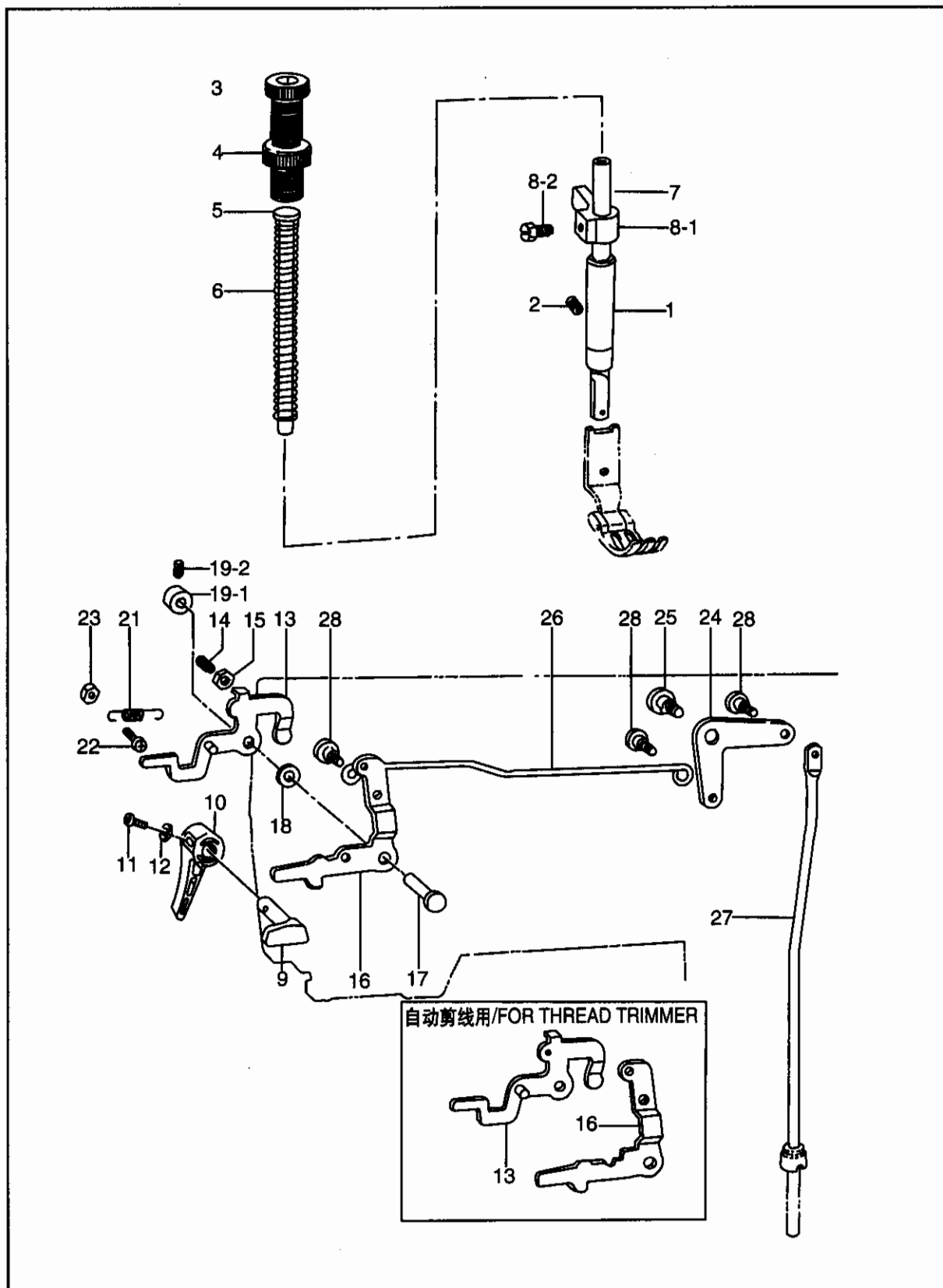
B 上轴机构 / Upper shaft mechanism

序号	件号	数量	名称	NAME OF PARTS	备注
1	201-0870	1	上轴前轴套	UPPER SHAFT BUSH	
2	SS-7161028	1	上轴前轴套紧定螺钉	SET SCREW, SOCKET(CP) SM6.35	
3	201-0900	1	上轴中轴套	UPPER SHAFT BUSHING ASSY(M)	
4	SS-7161028	1	上轴中轴套紧定螺钉	SET SCREW, SOCKET(CP) SM6.35	
5	201-0820	1	上轴	UPPER SHAFT	
6	201-0830	1	针杆曲柄	THREAD TAKE-UP CRANK	
7	SS-6180828	1	针杆曲柄定位螺钉	SCREW, SM7.14	
8	SS-6181428	1	针杆曲柄螺钉	SET SCREW, SM7.14	
9	201-0840	1	针杆曲柄销	NEEDLE BAR CRANK	
10	201-0850	1	针杆曲柄销堵	PUSHER	
11	SS-2160440	1	针杆曲柄销定位螺钉	SET SCREW, SM6.35	
12	SS-2160540	1	针杆曲柄销固定螺钉	SET SCREW, SM6.35	
13	201-0880	1	上轴前轴套套圈	THREAD TAKE-UP CRANK RING	
14	201-0985	1	上齿形带轮组件	TIMING PULLEY (U) ASSY	
14-1	201-0990	1	上齿形带轮	TIMING PULLEY (U)	
14-2	201-1000	2	上齿形带轮挡圈	TIMING PULLEY RING	
15	SS-7161040	1	上齿形带轮螺钉	SET SCREW, SOCKET(CP) SM6.35	
16	SS-7161240	1	上齿带轮定位螺钉	SET SCREW, SOCKET(CN) SM6.35	
17	201-0550	1	同步齿形带	TIMING BELT	
18		1	滚珠轴承 6204ZZNR	BALL BEARING,6204ZZNR	
19	201-1020	1	上轮	PULLEY, ST	
19	211-0100	1	<自动剪线用> 上轮	<FOR THREAD TRIMMER> PULLEY, TR	
20	SS-6151328	2	上轮螺钉	SET SCREW,(CP) SM5.95-14	
21	203-0030	1	挑线杆	THREAD TAKE-UP, L2	
22	201-0800	1	挑线杆铰链轴	THREAD TAKE-UP SHAFT	
23	SS-7161028	3	挑线杆铰链轴螺钉	SET SCREW, SOCKET(CP) SM6.35	
25	201-0780	1	挑线杆连接柱堵	PUSHER	
26	201-0050	1	挑线防护罩	THREAD TAKE-UP COVER	
27	SS-4090540	2	挑线杆防罩螺钉	SCREW, PAN SM3.57-40 × 5	

C 针杆机构 / Needle bar rocking mechanism

序号	件号	数量	名称	NAME OF PARTS	备注
1	201-0645	1	针杆支架、摆轴组件	NEEDLE BAR ROCK SHAFT ASSY	
1-1	201-0660	1	摆针轴	NEEDLE BAR ROCK SHAFT	
1-2		1	锥销 4 × 25	PIN, TAPER 4 × 25	
1-3	201-0630	2	导轨衬板	GUIDE PLATE	
1-4	SS-5060356	4	导轨衬板螺钉	SCREW, FLAT SM2.38	
1-5	201-0690	1	针杆	NEEDLE BAR	
1-6	201-0720	1	针杆连接柱	NEEDLE BAR CLAMP	
1-2	SS-4090840	1	针杆连接柱螺钉	NEEDLE BAR CRANK ROD	
1-8	201-0610	1	三眼连杆	SLIDE BLOCK	
1-9	201-0620	1	针杆支架滑块	NEEDLE BAR SLIDE BLOCK	
2	201-0560	1	摆轴前轴套	NEEDLE BAR ROCK SHAFT BUSH(L)	
3	201-1040	1	摆轴大连杆	NEEDLE BAR ROCK CONNECTING ROD	
4	SS-3162020	1	摆轴大连杆螺钉	SCREW, SM6.35	
5	201-1060	2	摆轴小连杆	NEEDLE BAR ROCK LINK	
6	SD-8200624	2	摆轴连杆螺钉	NEEDLE BAR ROCK LINK SHAFT	
7	NS-8200524	1	摆轴连杆螺母	NUT, SM7.94	
8	201-1070	1	摆轴曲柄	NEEDLE BAR CONNECTING CRANK	
9	SS-3161820	1	摆轴曲柄螺钉	SCREW, SM6.35 × 18	
10	201-0570	1	摆轴后轴套	NEEDLE BAR ROCK SHAFT BUSH(R)	
15	201-0090	1	护指架	FINGER GUARD	
16	WP-05016	1	护指架垫圈	WASHER, PLAIN 5	
17	WP-05612	1	护指架弹簧垫圈	WASHER, SPRING 2-4.37	
18	SD-6090440	1	护指架螺钉	SHOULDER SCREW, SM3.57	

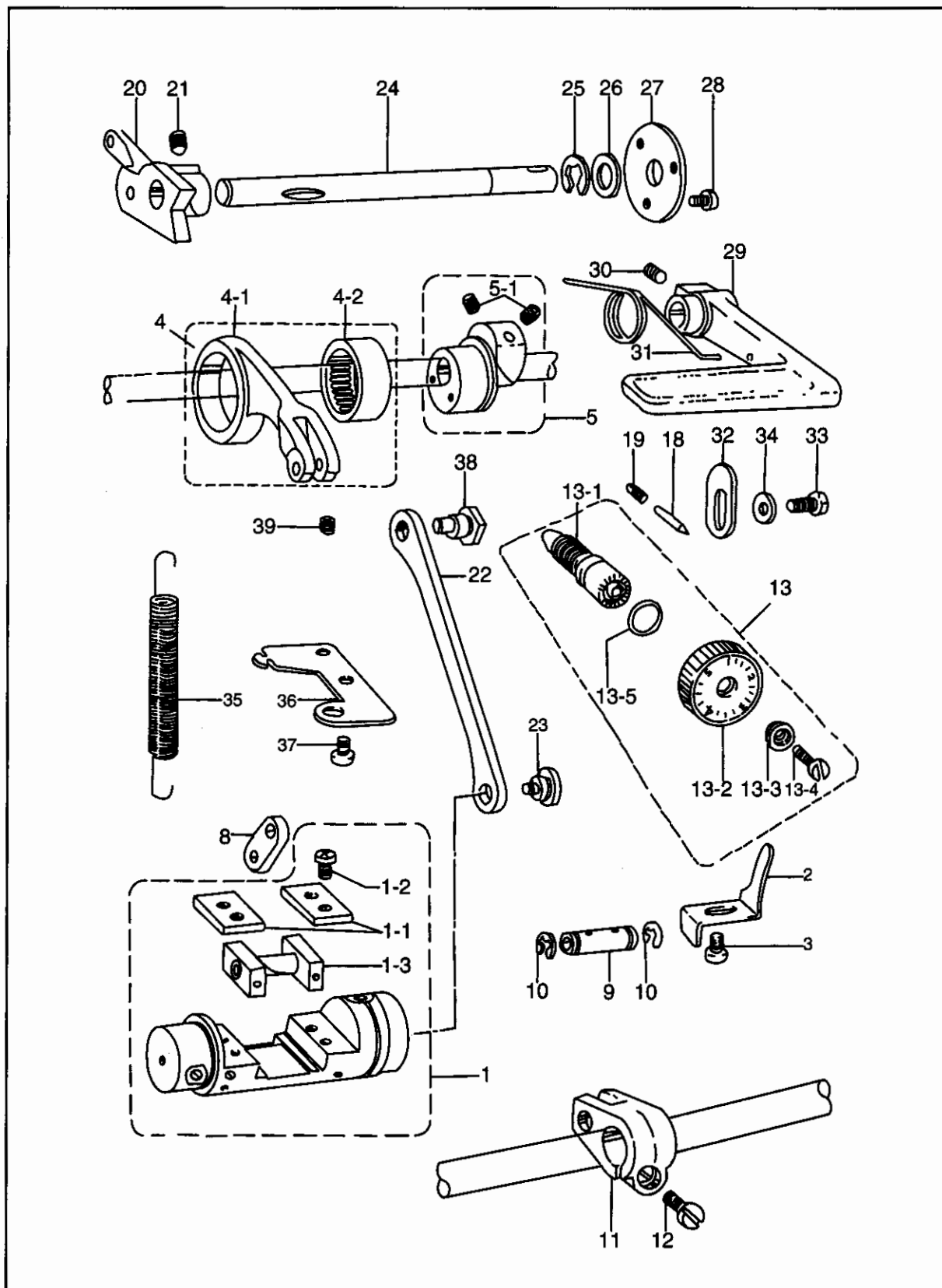
D 抬压脚机构 / Presseer foot mechanism



D 抬压脚机构 / Presseer foot mechanism

序号	件号	数量	名称	NAME OF PARTS	备注
1	GO307-8	1	压杆轴套	PRESSER BAR BUSH	
2	SS-7161028	1	压杆轴套螺钉	SET SCREW, SOCKET(CP)SM6.35	
3	GS513-8	1	调压螺钉	PRESSER ADJUST SCREW	
4	GL202-8	1	调压螺母	PRESSER ADJUST NUT	
5	GZ483-8	1	压杆弹簧导柱	SPRING GUIDE	
6	B1-07614	1	压杆弹簧	PRESSER SPRING,F	
7	201-2030	1	压杆	PRESSER BAR	
8	201-2195	1	压杆导架组件	PRES.BAR GUIDE BRACKET W/SCR	
8-1	201-2200	1	压杆导架	PRESSER BAR GUIDE BRACKET	
8-2	SS-8151028	1	压杆导架螺钉	BOLT, SM5.95	
9	201-2060	1	压杆提升凸轮	PRESSER BAR LIFTER STUD	
10	GR923-8	1	压脚扳手	PRESSER BAR LIFTER	
11	GS451-8	1	压脚扳手螺钉	SCREW,PAN M3.5 × 12	
12	GO332-8	1	压脚扳手螺钉垫圈	WASHER	
13	201-2245	1	膝提前内板组件	TENSION RELEASE PLATE ASSY	
13	211-0230	1	<自动剪线用> 膝提前内板组件	<FOR THREAD TRIMMER> TENSION RELEASE PLATE ASSY,TR	
14	SS-2161728	1	膝提前内板调压螺钉	SET SCREW, (FT)SM6.35	
15	NS-8160328	1	膝提前内板调压螺母	NUT, SM6.35	
16	201-2280	1	膝提前外板	PRESSER BAR LIFER LEVER	
13	211-0230	1	<自动剪线用> 膝提前内板	<FOR KNEE RELEASING WITH TR)> TENSION RELEASE PLATE ASSY, TRKNEE	
16	211-2280	1	膝提前外板	PRESSER BAR LIFTER LEVER	
17	201-2040	1	膝提前拔销	PRESSER BAR LIFTER LEVER SHAFT	
18	201-2050	1	膝提内外板垫	WASHER	
19-1	201-2310	1	膝提前拔销紧圈	SET SCREW COLLAR	
19-2	SS-7110440	2	膝提前拔销紧圈螺钉	SET SCREW,SOCKET(CP)SM4.37	
21	B2-03505	1	膝控前内板拉簧	SPRING	
21	B2-03505	2	<自动剪线用> 膝控前内板拉簧	<FOR THREAD TRIMMER> SPRING	
22	SS-4090840	1	膝控前内板螺钉	SCREW,PAN SM3.57-40 × 14	
23	NS-8090340	1	膝控前板螺母	NUT,1 SM3.57	
24	201-2220	1	膝控提升后杠杆	KNEE LIFTER LEVER	
25	SD-6160628	1	膝控提升后拉杆螺钉	SHOULDER SCREW,SM6.35	
26	201-2290	1	膝控提升拉杆	KNEE LIFTER CONNECTING ROD	
27	201-2230	1	膝控提升杆	KNEE LIFTER BAR	
28	SD-7120340	3	膝控提升拉杆螺钉	SHOULDER SCREW,SM4.76	

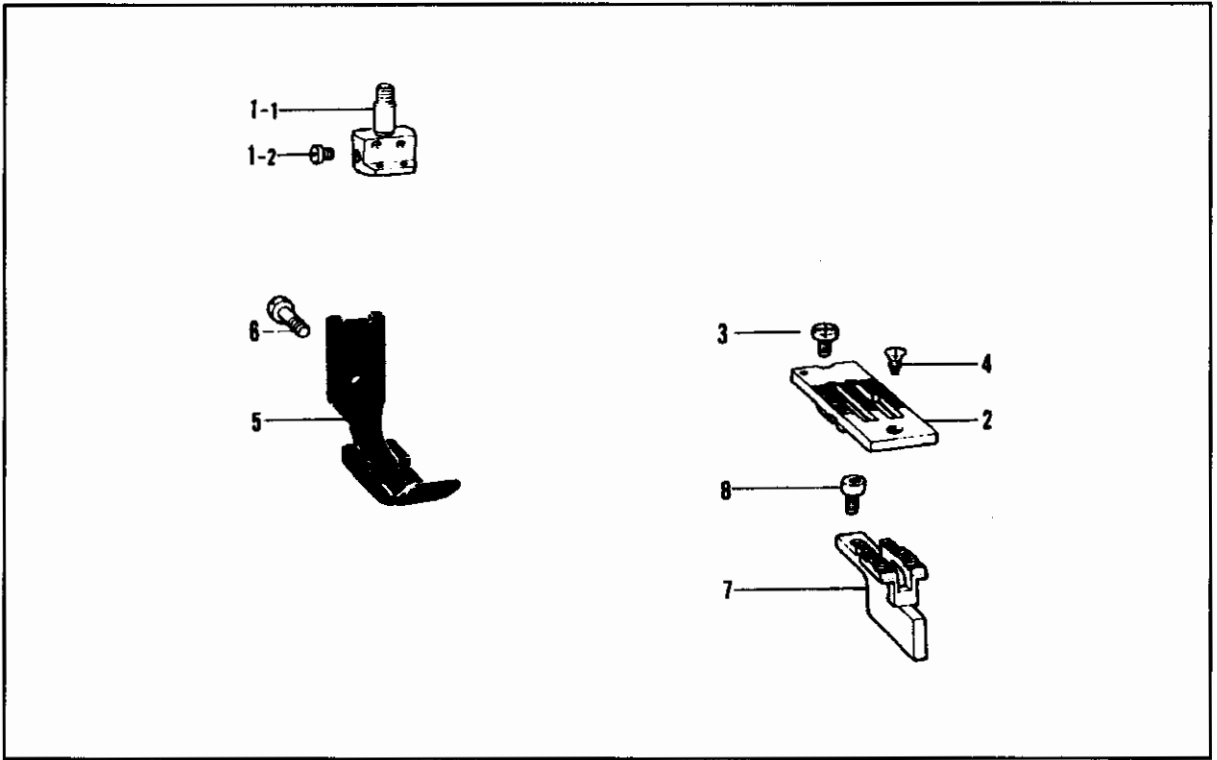
E 送料机构 / Feed mechanism



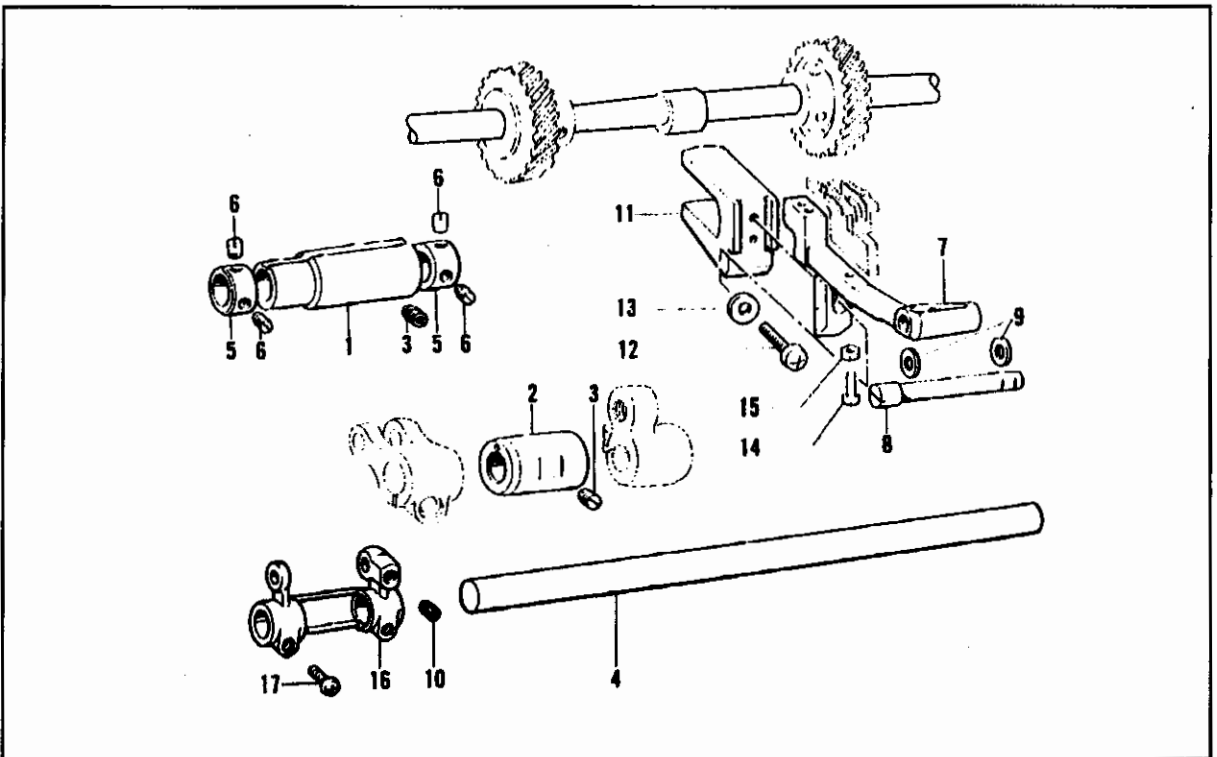
E 送料机构 / Feed mechanism

序号	件号	数量	名称	NAME OF PARTS	备注
1	201-1835	1	<“-3”用> 送布调整轴组件	<FOR FOUNDATION SPEC., "3"> FEED REGULATOR ASSY	
1	205-0175	1	<“-5”用> 送布调整轴组件	<FOR "5"> FEED REGULATOR(L) ASSY	
1-1	201-1850	2	滑块导板	SLIDE BLOCK GUIDE PLATE	
1-2	SS-4111040	4	滑块导板螺钉	SCREW, PAN SM4.37-40 × 10	
1-3		1	倒缝滑块组件	FEED REGULATOR SLOCK A. ASSY	
2	201-1670	1	送布调整轴挡片	FEED REGULATOR STOPPER	
3	SS-4120632	1	送布调整轴挡片螺钉	SCREW, PAN SM4.76-32 × 6	
4	201-1795	1	送布摇动连杆组件	FEED ROCK CONNECTING ROD ASSY	
4-1	201-1800	1	送布摇动连杆	FEED ROCK CONNECTING ROD	
4-2		1	滚针轴承	NEEDLE BEARING	
5	203-0140	1	送布偏心轮	LEVEL ECCENTRIC WHEEL WITH SCR	
5-1	SS-7161040	2	送布偏心轮螺钉	SET SCREW, SOCKET (CP) SM6.35	
8	201-1890	1	送布摇动臂连板	FEED ROCK ARM LINK	
9	201-1900	1	送布曲柄销	FEED ROCK RING, SHAFT	
10	RC-05808	2	卡簧	RETAINING RING, E6	
11	203-0150	1	送布曲柄	FEED ROCK ARM	
12	SS-3161828	1	送布曲柄螺钉	SCREW, SM6.35 × 18	
13	201-1965	1	<“-3”用> 针距标盘组件	<FOR Foundation Spec., "3"> STITCH CONTROL DIAL ASSY(7)	
13-2	205-0550	1	针距标盘	STITCH CONTROL DIAL(7)	
13	205-0185	1	<“-5”用> 针距标盘组件	<FOR "5"> STITCH CONTROL DIAL ASSY(7)	
13-2	203-0170	1	针距标盘	STITCH CONTROL DIAL(7)	
13-1	201-1970	1	针距调节螺杆	STITCH CONTROL SCREW	
13-3	GO316-8	1	针距标盘套	STITCH CONTROL PLATE SUPPORT	
13-4	GS494-8	1	针距标盘螺钉	SCREW, SM4.76	
13-5	GR976-8	1	针距调节螺杆 O 型圈	O RING	
18	GX235-8	2	止动销	POSITIONING PIN	
19	GW-216-8	1	止动销弹簧	SPRING	
20	203-0160	1	针距座	FEED REGULATOR	
21	SS-7150828	1	针距座定位螺钉	SET SCREW, SOCKET SM5.95	
22	201-1950	1	针距连杆	FEED REGULATOR CONNECTING ROD	
23	SD-6150828	1	针距连杆螺钉	SHOULDER SCREW, SM5.95	
25	RC-08010	3	倒缝扳手卡簧	RETAINING RING, E8	
26	WP-10510	1	倒缝扳手轴卡簧	WASHER, PLAIN S10	
27	201-1700	1	倒缝扳手挡板垫圈	WASHER	
28	SS-4090740	1	倒缝扳手轴挡板	SCREW PAN SM3.57-40 × 7	
31	B5-20012	1	倒缝扳手复位簧	SPRING	
32	201-1690	1	限位板	REVERSE LEVER STOPPER	
33	SS-3121032	1	限位板螺钉	SCREW PAN SM4.76-32 × 10	
34	WP-05008	2	限位板螺钉垫圈	SCREW, PLAIN M4.76	
35	B2-08010	1	针距座弹簧	SPRING, FEED REGULATOR	
36	201-1680	1	弹簧吊钩	SPRING HOOK	
37	SS-4120632	1	弹簧吊钩螺钉	SCREW, PAN SM4.76-32 × 6	
38	201-1940	1	送布调整偏心轴	FEEDREGULATOR ECCENTRIC WHEEL SHAFT	
39	SS-7150628	1	送布调整偏心轴螺钉	SET SCREW, SOCKET SM5.95	
24	201-2020	1	倒缝扳手轴	REVERSE STITCH LEVER SHAFT, ST	
29	201-2000	1	倒缝扳手	REVERSE LEVER ST.	
30	SS-7150828	1	倒缝扳手螺钉	SET SCREW, SOCKET SM5.95	
24	211-0180	1	<自动剪线用> 倒缝扳手轴	<FOR TR. & QUICK REVERSE> REVERSE STITCH LEVER SHAFT	
29	211-0150	1	倒缝扳手	REVERSE LEVER TR.	

F 针组零件 / Gauge parts



J 送料轴机构 / Feed shaft mechanism



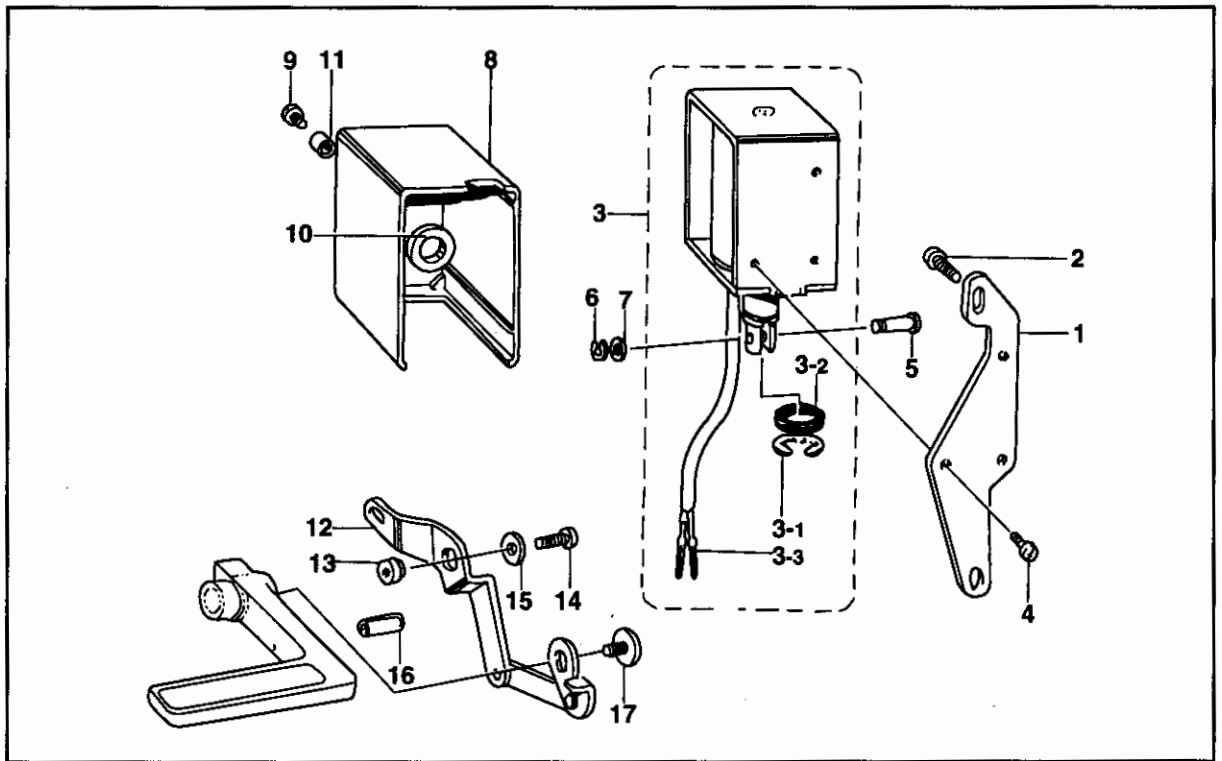
F 针组零件 / Gauge parts

序号	件号	数量	名称	NAME OF PARTS	备注
1-1	201-0680	1	针杆接头	NEEDLE CLAMP ASSY	
1-2	SS-6090440	2	针杆接头螺钉	SCREW,SM3.57	
2	203-0100	1	针板	NEEDLE PLATE(ASSY)	
3	SS-6110640	1	针板螺钉	SCREW,SM4.37	
4	SS-5110640	1	针板螺钉	SCREW,FLAT SM4.37	
5	203-0105	1	压脚组件	SCREW,FLAT ASSY	
6	SD-6090540	1	压脚螺钉	SCREW,SM3.57	
7	203-0130	1	送料牙	FEED DOG	
8	SS-7080744	2	送料牙固定螺钉	SCREW,SM3.18	
			<自动剪线用>	<FOR THREAD TRIMMER>	
2		1	针板(组件)	NEEDLE PALTE(ASSY)	
7		1	送料牙	FEED DOG	

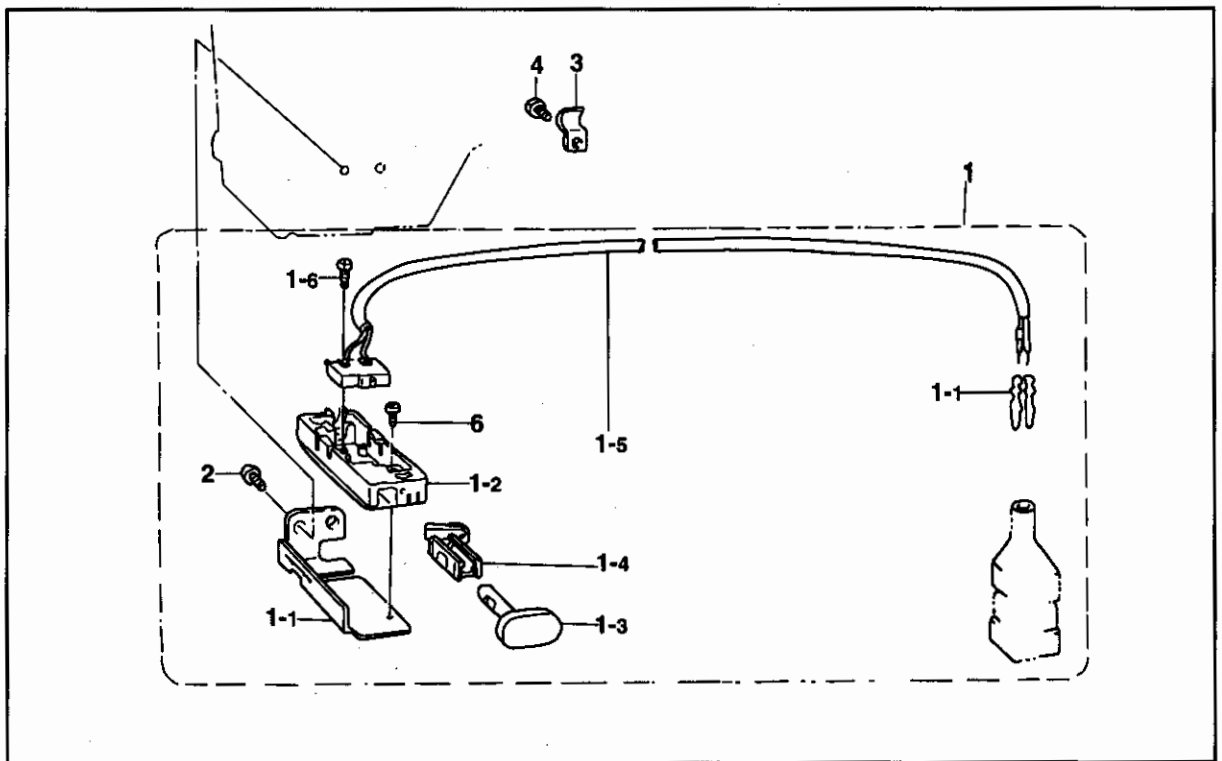
J 送料轴机构 / Feed shaft mechanism

序号	件号	数量	名称	NAME OF PARTS	备注
1	201-1620	1	送料轴前轴套	FEED SHAFT BUSH (L)	
2	201-1630	1	送料轴后轴套	FEED SHAFT BUSH (R)	
3	SS-7161028	2	送料轴轴套紧固螺钉	SET SCREW, SOCKET (CP) SM6.35	
4	201-1610	1	送料轴	FEED ROCK SHAFT	
5	201-1780	2	止推环	SET SCREW COLLAR	
6	SS-2160440	4	止推环螺钉	SET SCREW,SM6.35	
7	201-1720	1	牙架	FEED BAR,ST	
			<自动剪线用>	<FOR THREAD TRIMMER>	
7	211-0160	1	牙架	FEED BAR, ST	
8	201-1730		牙架销	FEED BAR SHAFT	
9	WP-07310	1	牙架销垫圈	THRUST RING	
10	SS-7150628	1	牙架销螺钉	SET SCREW,SOCKET SM5.95	
11	203-0120	1	抬牙叉	FEED BAR FORK	
12	SS-4151428	1	抬牙叉固定螺钉	SCREW,PAN SM5.95-28 × 14	
13	WP-06506	1	抬牙叉固定螺钉垫圈	WASHING,PLAIN S6	
14	SS-4081040	1	送料牙调整螺钉	SCREW, PAN SM3.18-40 × 12	
15	NS-8080240	1	送料牙调整螺母	NUT, 1 SM3.18	
16	201-1740	1	牙架曲柄	FEED ROCK BASE ARM	
17	SS-4111240	1	牙架曲柄螺钉	SCREW,PAN SM4.37-40 × 12	

H 倒缝机构 / Quick reverse mechanism



V 倒缝开关组件 / Quick reverse switch mechanism



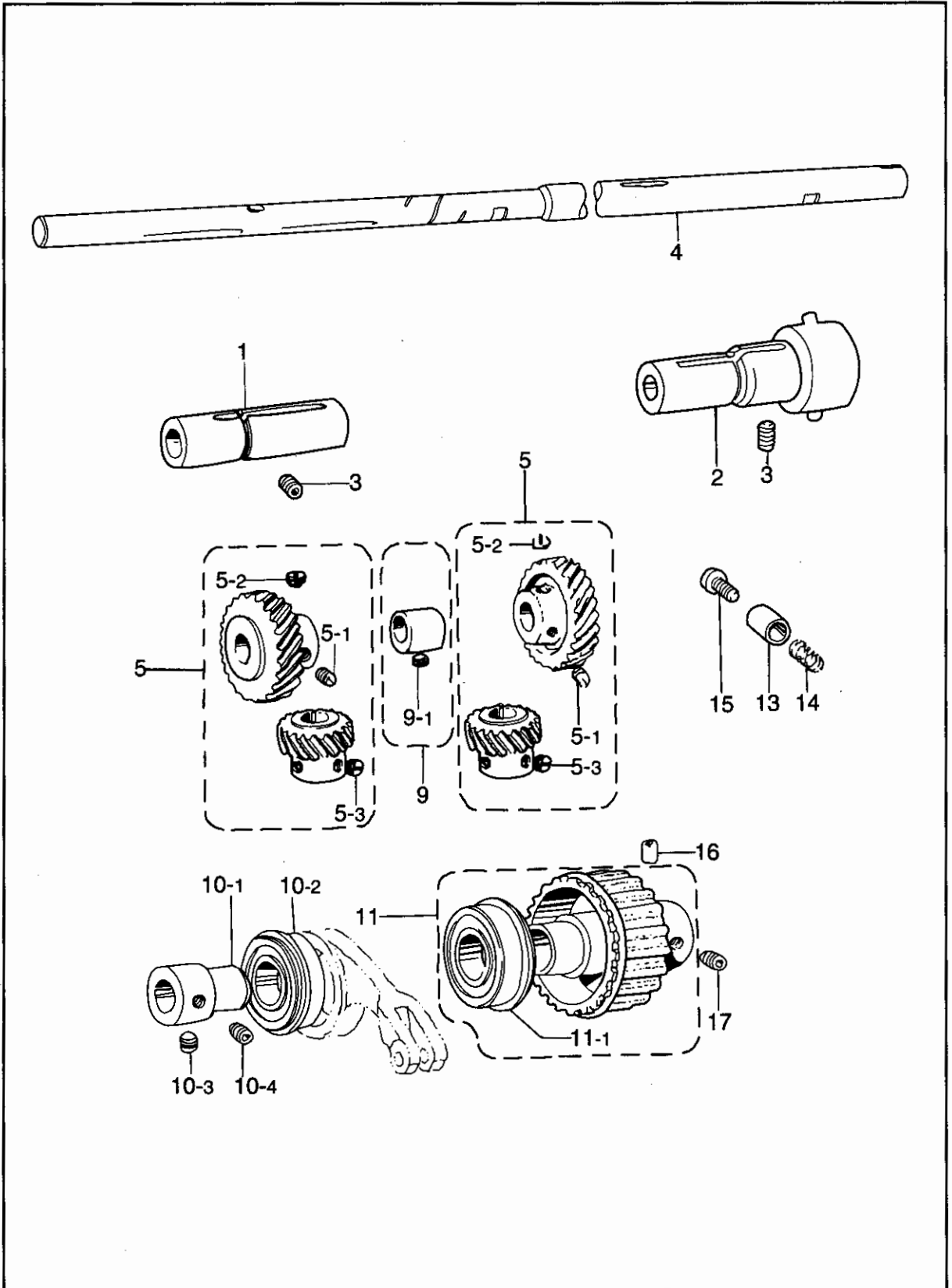
H 倒缝机构 / Quick reverse mechanism

序号	件号	数量	名称	NAME OF PARTS	备注
1	211-0450	1	倒缝电磁铁安装板	REVERSE SOLENOID BRACKET	
2	SS-5161428	2	螺钉	SCREW,PAN SM6.35-28 × 14	
3	211-0145	1	倒缝电磁铁组件	QUICK REVERSE SOLENOID ASSY	
3-1	-----	1	开口挡圈	RETAINING RING,E15	
3-2	-----	1	橡胶挡圈	RUBBER STOPPER	
3-3	-----	2	接头(正级)	TERMIMAL PIN (MALE)	
4	SS-5161428	3	倒缝电磁铁组件安装螺钉	SCREW,PAN M5 × 8	
5	211-0460	1	倒缝电磁铁连接销	PIN	
6	-----	1	倒缝电磁铁连接销开口挡圈	RETAINING RING,E4	
7	WP-06510	1	倒缝电磁铁销垫圈	WASHER, PLAIN 6.5	
8	211-0440	1	倒缝电磁铁罩	SOLENOID COVER	
9	-----	1	倒缝电磁铁衬套螺钉	SCREW,PAN M5X8	
10	D2-261405	1	倒缝电磁铁橡胶垫	REVERSE SOLENOTD RUBBER	
11	211-0430	1	倒缝电磁铁罩衬套	COLLAR	
12	211-0390	1	倒缝摆动杆组件	REVERSE SOLENOID LEVER ASSY	
13	211-0290	1	电磁铁连接头	SOLENOID LEVER STUD	
14	SS-6161828	1	螺钉	SOREW,SM6.35 × 18	
15	WP-06520	1	垫片	WASHER,PLAIN 6	
16	-----	1	尼龙管	NYLON TUBE	
17	SS-6120732	1	螺钉	SCREW,SM4.76	

V 倒缝开关组件 / Quick reverse switch mechanism

序号	件号	数量	名称	NAME OF PARTS	备注
1	211-0205	1	手触倒缝开关组件	REVERSE ACTUATOR ASSY	
1-5	-----	1	倒缝开关组件	REVERSE SWITCH ASSY	
1-5-1	-----	1	接头(正级)	TERMINAL PIN(MALE)	
1-1	211-0660	1	倒缝开关座	REVERSE SWITCH BRACKET	
1-2	-----	1	倒缝开关	REVERSE SWITCH BASE	
1-3	-----	2	倒缝开关按钮	ACTUATOR	
1-4	-----	1	倒缝开关压簧	SPRING,REVERSE SWITCH	
1-6	-----	1	螺钉	SCREW,BIND M3 × 6	
2	SS-4120632		螺钉	SCREW,PAN SM4.76-32 × 6	
3			电线夹	CORD HOLDER	
4	SS-7110440		螺钉	SCREW,PAN SM3.57-40 × 5	

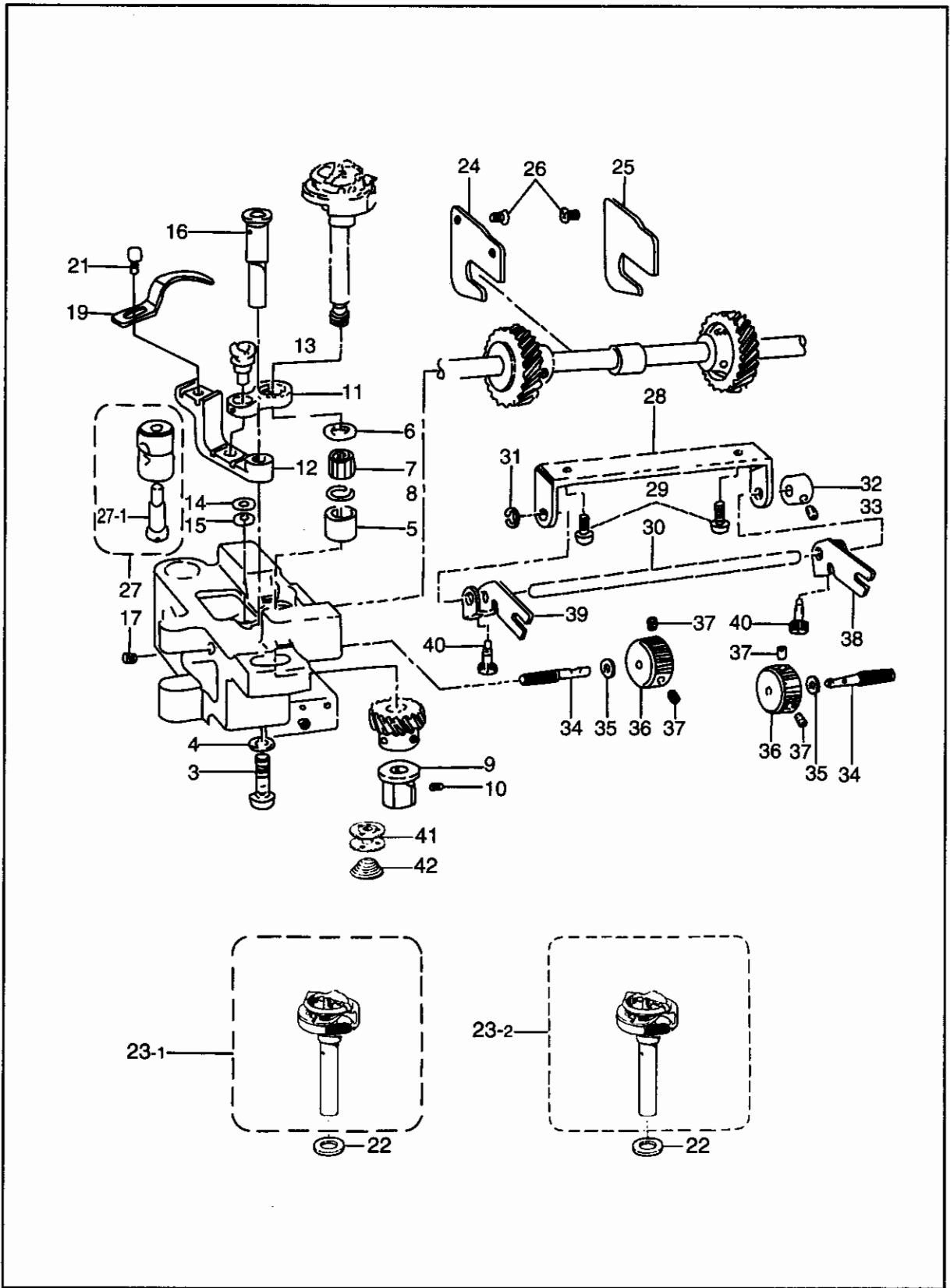
K 下轴机构 / Lower shaft mechanism



K 下轴机构 / Lower shaft mechanism

序号	件号	数量	名称	NAME OF PARTS	备注
1	201-1080	1	下轴前轴套	ROTARY HOOK BASE BUSH L	
2	201-1435	1	上轴中轴套组件	ROTARY HOOK BASE BUSH ASSY (R)	
3	SS-7161028	2	轴套螺钉	SET SCREW, SOCKET(CP) SM6.35	
4	201-1100	1	下轴 <自动剪线用>	LOWER SHAFT, ST <FOR THREAD TRIMMER>	
4	211-0120		下轴	LOWER SHAFT, TR	
5	201-1335 1245	2	齿轮组件	SPIRAL GEAR ASSY(A)	
5-1	SS-2160540	4	固定螺钉	SET SCREW, SM6.35	
5-2	SS-1160340	2	齿轮定位螺钉	SET SCREW, SM6.35	
5-3	SS-2160540	6	齿轮螺钉	SET SCREW, (CP) SM6.35	
9	201-1420	1	抬牙偏心轮	VERTICAL FEED ECCENTRIC WHEEL ASSY	
9-1	SS-1160340	1	抬牙偏心轮螺钉	SET SCREW, SM6.35	
10	201-1475	1	轴承衬套组件	BALL BEARING ASSY	
10-1	201-1480	1	轴承衬套	ALL BEARING BUSH	
10-2	-----	1	滚珠轴承 6004ZZNR	BALL BEARING, 6004ZZNR	
10-3	SS-7161240	1	轴承衬套定位螺钉	SET SCREW, SOCKET(CN) SM6.35	
10-4	SS-7161040	1	轴承衬套螺钉	SET SCREW, SOCKET(CP) SM6.35	
11	201-1500	1	<“-3”,“-5”用> 下齿形带轮	<FOR Foundation Spec.,“-3”,“-5”> TIMING PULLEY D ASSY SET	
11-1	-----	1	轴承组件	TIMING PULLEY D ASSY	
11-2	-----	1	滚珠轴承 6204ZZNR	BALL BEARING, 6204ZZNR	
13	201-1090	1	下轴中轴套活塞	PLUNGER	
14	BI-02805	1	活塞弹簧	PLUNGER SPRING	
15	SS-6160540	1	活塞螺钉	SCREW, SM6.35 × 5	
16	SS-7161040	1	下齿形带轮螺钉	SET SCREW SCREW, SOCKET(CP) SM6.35	
17	SS-7161240	1	下齿形带轮定位螺钉	SET SCREW SCREW, SOCKET(CN) SM6.35	

L 旋梭机构 / Rotary mechanism



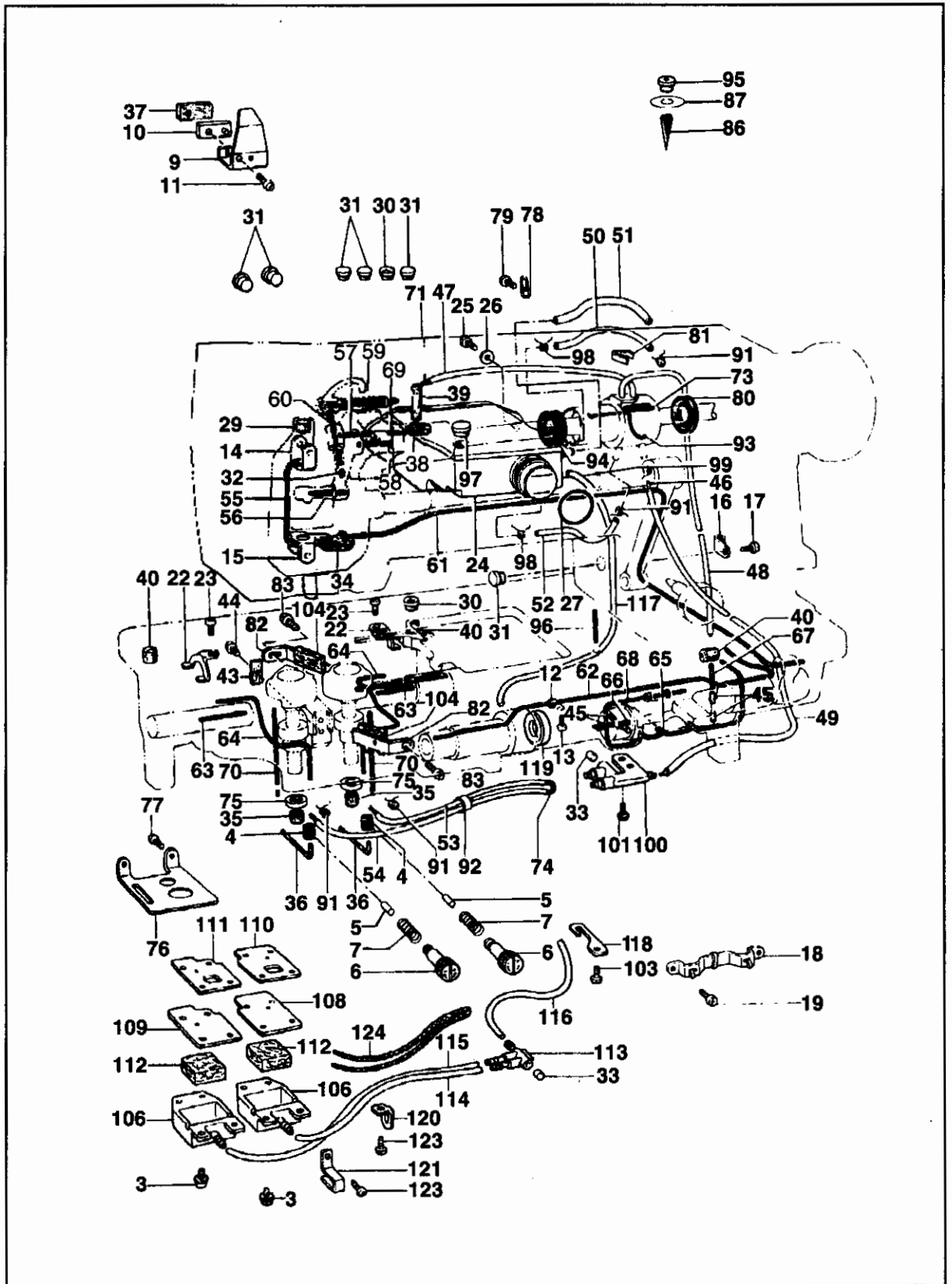
L 旋梭机构 / Rotary mechanism

序号	件号	数量	名称	NAME OF PARTS	备注
3	SS-4162528	2	梭架固定螺钉	SCREW,PANSM6.35-28 × 25	
4	WP-07034	2	梭架固定螺钉垫圈	WASHER	
5	203-0100	2	梭轴上轴套	ROTARY HOOK SHAFT BUSH(U)	
6	203-0080	2	轴承端盖	THRUST RING	
7		2	滚针轴承	NEEDLE BEARING	
8	RD-10810	2	梭轴上轴套挡圈	STOP RING	
9	201-1210	2	梭轴下轴套	ROTARY HOOK SHAFT BUSH(D)	
10	SS-1120532	2	梭轴下轴套螺钉	SET SCREW,(CP)SM4.76	
11	203-0070	2	分线连杆	OPENER LINK	
12	203-0090	2	分线摆动连杆	OPENER LEVER	
13	201-1280	2	分线连杆连接轴	OPENER LINK SHAFT	
14	WP-05008	2	分线连杆连接轴垫圈	WASHER,PLAIN M4.76	
15	NS-81230	2	分线连杆连接轴螺母	OPENER	
16	201-1300	2	摆动杆轴	OPENER LEVER SHAFT	
17	SS-1121032	2	摆动杆轴固定螺钉	SET SCREW,(CP)SM4.76	
19	203-0050	2	分线勾	OPENER	
21	SS-7090840	2	分线勾固定螺钉	BOLT,SOCKET SM3.57-40 × 8	
24	201-1160	1	齿轮挡片(左)	GEAR GUIDE(L)	
25	201-1370	1	齿轮挡片(右)	GEAR GUIDE(R)	
26	SS-5090440	4	齿轮挡片螺钉	SCREW,FLAT SM3.57	
27	201-1385	2	锁紧套管组件	PINCH SLEEVE ASSY	
27-1	SS-6151228	2	锁紧套管螺钉	SCREW,SM5.95	
28	201-1110	1	调整杆支架	ADJUST BAR SUPPORT	
29	SS-3121032	2	调整杆支架螺钉	SCREW,PAN SM4.76-32 × 10	
30	201-1540	1	调整杆	ADJUST BAR	
31	RC-04006	1	调整杆卡圈	RETAINING RING,E4	
32	201-1520	1	止推环	SET SCREW COLLAR	
33	SS-7110640	1	止推环螺钉	SET SCREW,SOCKET(CP)SM4.37	
34	SS-1161740	2	梭架调整螺栓	ROTARY HOOK BASS ADJUST SCREW	
35	WP-04705	2	梭架调整垫片	WASHER,PLAIN S 4.37	
36	201-1600	2	调整旋钮	ROTARY HOOK BASS ADJUST DIAL	
37	SS-7110640	4	旋钮紧固螺钉	SET SCREW,SOCKET(CP)SM4.37	
38	201-1560	1	调整叉杆(右)	PRESET LEVER (R)	
39	201-1580	1	调整叉杆(左)	PRESET LEVER (L)	
40	SS-8090840	2	调整叉杆固定螺钉	NEEDLE SET SCREW,SM3.57	
41	203-0060	2	梭心	BOBBIN,ST	
			<自动剪线用>	<FOR THREAD TRIMMER>	
22	-----	4	垫圈	SPACER,0.2	
22	-----	2	垫圈	SPACER,0.3	
42		2	梭心压簧	BOBBIN TENSION SPRING	
			<“-5”用>	<FOR“-5”>	
23-1		1	旋梭组件	ROTARY HOOK ASSEMBLY	
23-2		1	旋梭组件	ROTARY HOOK ASSEMBLY	

M 润滑机构 / Lubrication

序号	件号	数量	名称	NAME OF PARTS	备注
3	SS-4090840	8	回油盒螺钉	SCREW,PAN SM3.57-40 × 8	
4	201-2440	2	油量调节套	RUBBER RING	
5	201-2450	2	油量调节塞	RUBBER ORESSER	
6	SD-8160728	2	油量调节螺钉	OIL ADJUST SCREW	
7	BI-09010	2	油量调节簧	OIL ADJUST SPRING	
9	201-2470	2	挑线杆挡油板	OIL STOPPER PLATE	
10	201-2480	1	挑线杆挡油压板	OIL STOPPER PLATE PRESSER	
11	SS-4121232	1	挑线杆挡油板螺钉	SCREW,PAN SM4.76-32 × 12	
12	201-1640	1	送料轴油线支架	WICK SCPPORT	
13	SS-4090540	1	送料轴油线支架螺钉	SCREW,PAN SM3.57-40 × 5	
14	201-0600	1	钉杆支架上油线夹	FELT SUPPORT(U)	
15	201-0590	1	钉杆支架下油线夹	FELT SUPPORT(D)	
16	201-1050	1	油线支架	WICK SUPPORT	
17	SS-4090540	1	油线支架螺钉	SCREW,PAN SM3.57-40 × 5	
18	201-1870	1	送布调整轴油线夹	WICK SUPPORT	
19	SS-4080440	2	送布调整轴油线夹螺钉	SCREW,PAN SM3.18-40 × 4	
22	201-1150	2	下轴油线架	WICK HOLDER	
23	SS-4090540	2	下轴油线架螺钉	SCREW,PAN SM3.57-40 × 5	
24	201-2495	1	油盒组件	OIL TANK ASSY	
25	SS-4111040	2	油盒盖螺钉	SCREW,PAN SM4.76-32 × 10	
26	WP-15008	2	油盒盖螺钉垫圈	WASHER,PLAIN M4.76	
27	R0-03035	1	油窗O型圈	O RING,P30	
29	201-0700	1	针杆木塞	NEEDLE BAR CAP	
30	TA-0120601	2	油塞	OIL CAP	
31	TA-0120602	6	油塞	OIL CAP	
32	201-0750	1	挑线杆塞	OIL CAP	
33	201-0570	2	油塞	OIL CAP	
34	MZ-301504	1	毛毡	FELT	
35	MZ-10060	2	梭头下毛毡	CLUTCH FELT	
36	MZ-30035	2	油毡	FELT	
37	MZ-311505	1	挑线杆挡油毡	FELT,THREAD TAKE-UP	
38	MZ-241509	1	上轴前轴套毛毡	FELT,UPPER SHAFTL	
39	MZ-70030	1	上轴套前轴套上毛毡	FELT	
40	MZ-95014	3	毛毡	FELT	
43	MZ-201202	1	抬牙叉油毡	FELT	
44	SS-3090640	1	抬牙叉油毡螺钉	SCREW,SM3.57	
45	MZ-50011	4	送布调整轴油毡	FELT	
46		1	中轴套坚钢丝	WIRE	
47	BP-4828190	1	油管(L=190)	OIL TUBE(L=190)	
48	BP-4828280	1	油管	OIL TUBE	
49	BP-4828390	1	油管(L=390)	OIL TUBE(L=390)	
50	BP-4828160	1	油管(L=160)	OIL TUBE(L=160)	
51	BP-8050165	1	油管(L=165)	OIL TUBE(L=160)	
52	BP-4828090	1	油管(L=90)	OIL TUBE(L=90)	
53	BP-4828180	1	油管(L=180)	OIL TUBE(L=180)	
54	BP-4828240	1	油管(L=240)	OIL TUBE(L=240)	
55	CQ-15200	1	油管(L=200)	WICK(L=200)	
56	CQ-30030	1	油线(L=30)	WICK(L=50)	
57	CQ-40025	1	油线(L=25)	WICK(L=30)	
58	CQ-40072	1	油线(L=72)	WICK(L=45)	
59	CQ-40138	1	油线(L=138)	WICK(L=138)	
60	CQ-40040	1	油线 4 × 4(L=40)	WICK4 × 4(L=40)	
61	CQ-30710	1	油线(L=440)	WICK(L=440)	
62	CQ-40350	1	油线 4 × 4(L=350)	WICK4 × 4(L=350)	
63	CQ-40040	2	油线	WICK	

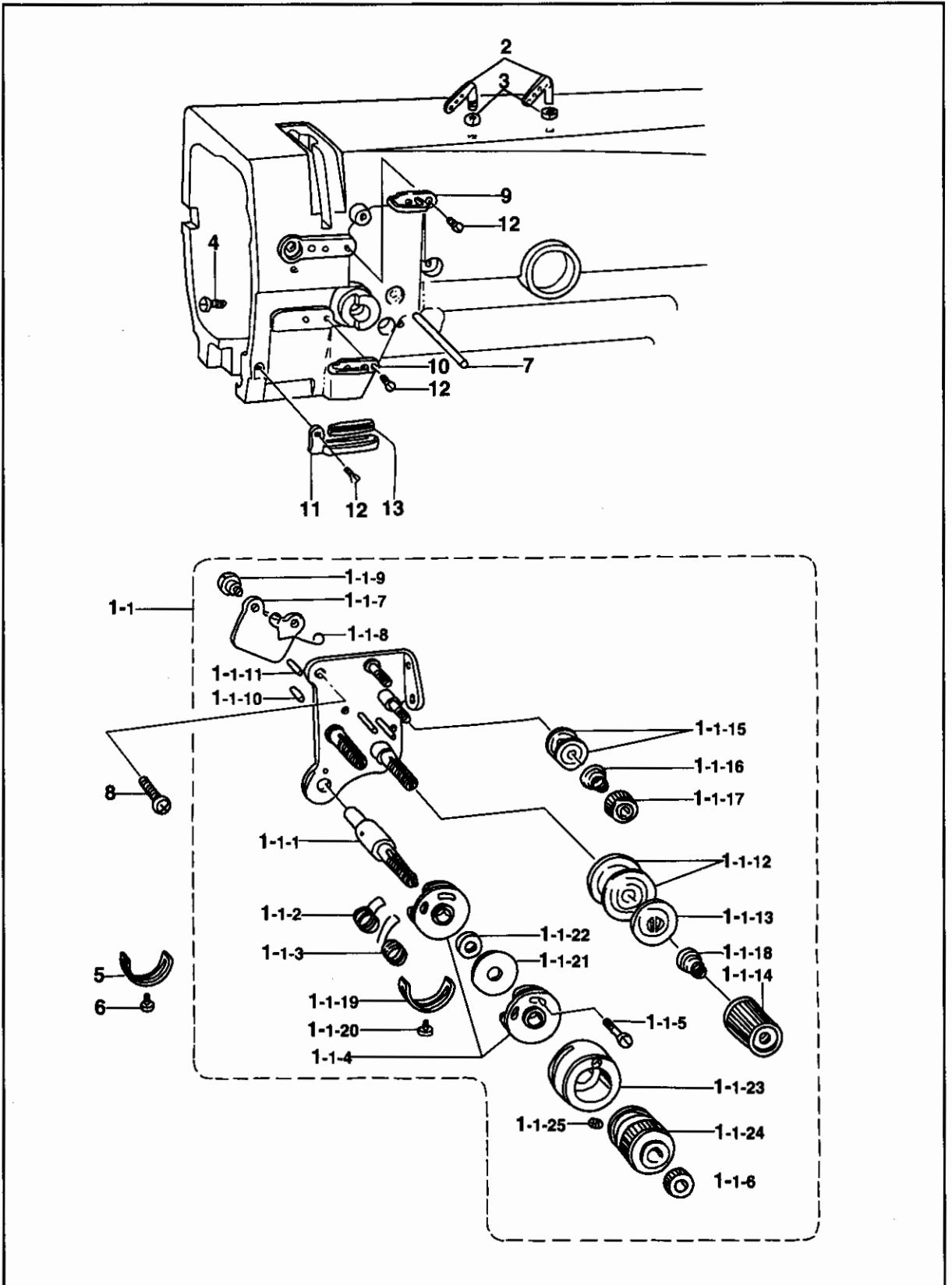
M 润滑部分 / Lubrication



M 润滑机构 / Lubrication

序号	件号	数量	名称	NAME OF PARTS	备注
64	CQ-40250	2	油线 4 × 4 (L=250)	WICK4 × 4(L=250)	
65	CQ-40250	1	油线 4 × 4 (L=250)	WICK4 × 4(L=250)	
66	CQ-40040	1	油线 4 × 4 (L=40)	WICK4 × 4(L=40)	
67	CQ-40035	1	油线 (L=35)	WICK(L=35)	
68	CQ-40110	1	油线 (L=110)	WICK(L=110)	
69	CQ-40025	1	油线 (L=25)	WICK(L=25)	
70	CQ-40070	2	油线 (L=70)	WICK(L=70)	
71	CQ-40650	1	油线 (L=650)	WICK(L=650)	
73	CQ-40035	1	油线 4 × 4 (L=40)	WICK4 × 4(L=40)	
74	CQ-15530	1	油线 (L=530)	WICK(L=530)	
75	201-2430	2	梭头下毛毡架	SPACER	
76	205-0570	1	防尘盖	DUST PROTECTOR	
77	SS-4090540	2	防尘盖螺钉	SCREW,PAN SM3.57-40 × 5	
78	201-2350	1	油管支架	TUBE SUPPORT	
79	SS-4110840	1	油管支架螺钉	SCREW,PAN SM4.37-40 × 8	
80	201-0940	1	中轴套后油封	OIL SEAL	
81	201-0910	1	油管夹	TUBE CALKING	
82	201-1230	2	下轴齿轮毛毡架	FELT PRESSER	
83	SS-4090540	2	下轴齿轮毛毡架螺钉	SCREW,PAN SM3.57-40 × 5	
86	201-2320	1	滤油网	OIL FILTER	
87	201-2330	1	注油标贴	OIL MARK SHEET	
91	201-0950	7	弹簧油管夹头	TUBE CLIP	
92	BP-4828005	1	紧固环	RING	
93	CQ-40070	1	油线 (L=70)	WICK(L=70)	
94	201-0930	1	中轴套前油封	OIL SEAL	
95	TA-0120603	1	注油塞	OIL CAP	
96	CQ-40035	1	油线 (L=35)	WICK(L=35)	
97	TA-0120603	1	油盒橡皮塞	OIL CAP	
98	201-0950	3	弹簧油管夹头	TUBE CLIP	
99	201-0950	1	弹簧油管夹头	TUBE CLIP	
100	201-2540	1	油管接头	TERMINAL	
101	SS-4090640	2	油管接头螺钉	SCREW,PAN SM3.57-40 × 6	
103	SS-4090640	1	油管勾板螺钉	SCREW,PAN SM3.57-40 × 6	
104	MZ-400803	2	下轴齿轮毛毡	FELT	
106	201-2570	2	回油盒	SUB-TANK	
108	201-2410	1	右梭架底衬垫	OIL SEAL R,SUB-TANK	
109	201-2390	1	左梭架底衬垫	OIL SEAL R,SUB-TANK	
110	201-2420	1	右梭架底盖板	SUB-TANK COVER R	
111	201-2400	1	左梭架底盖板	SUB-TANK COVER L	
112	MZ-400803	2	回油盒油毡	FELT SUB-TANK	
113	201-2560	1	油管接头	TERMINALL	
114	BP-4828135	1	右回油盒油管	SOIL TUBE,SUB-TANK R	
115	BP-4828300	1	左回油盒油管	OIL TUBE,SUB-TANK L	
116	BP-4828135	1	油泵输油管	OIL TUBE,PLUNGER PUMP	
117	BP-4828600	1	油盒输油管	OIL TUBE,OIL TANK	
118	201-2360	1	油管勾板	TUBE SUPPRT BRACKET	
119	201-1460	1	下轴中套油封	OIL SEAT,PLUNGER PUMP	
120	201-2370	1	油管过线板	TUBE SUPPRT BRACKETL	
121	201-2380	1	油管压板	OIL TUBE SUPPORT	
122	WP-04010	8	回油盒螺钉垫圈	WASHER	
123	SS-4120632	2	油管压板螺钉	SCREW,PAN SM4.76-32 × 6	
124	CQ-15430	1	油线 (L=370)	WICK(L=370),SUN-TANK	

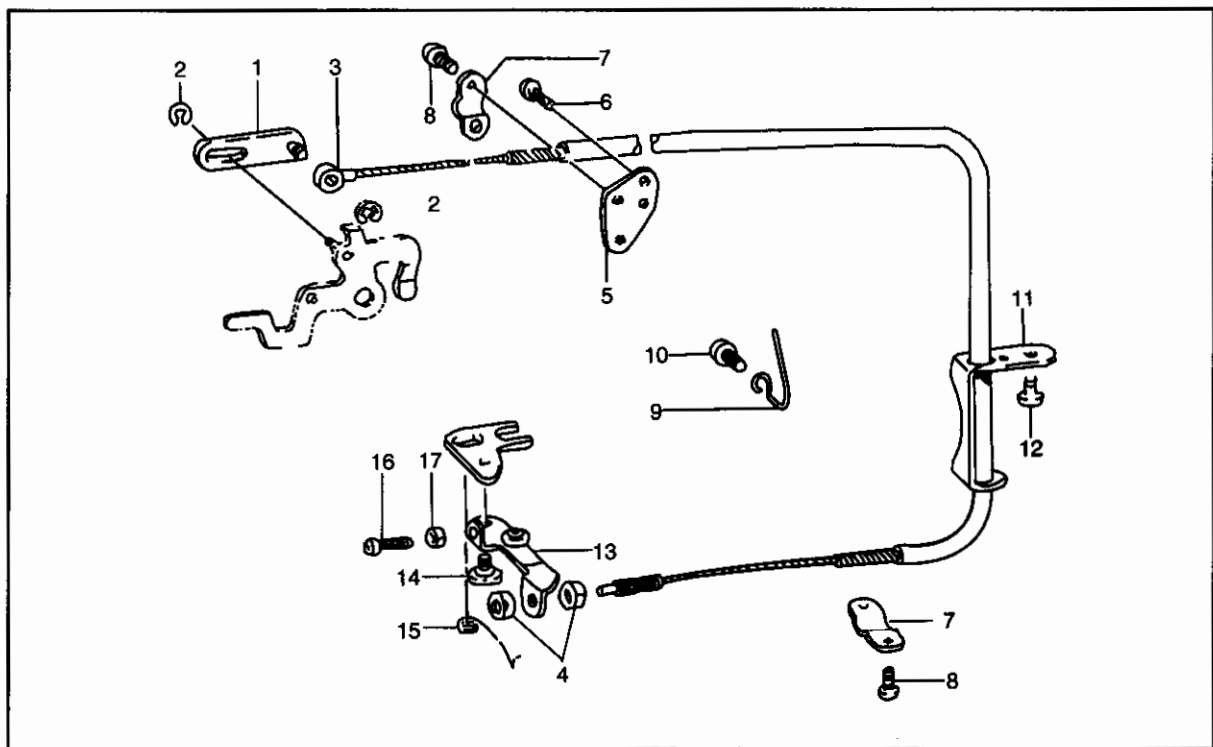
N1 夹线机构 / Threading mechanism



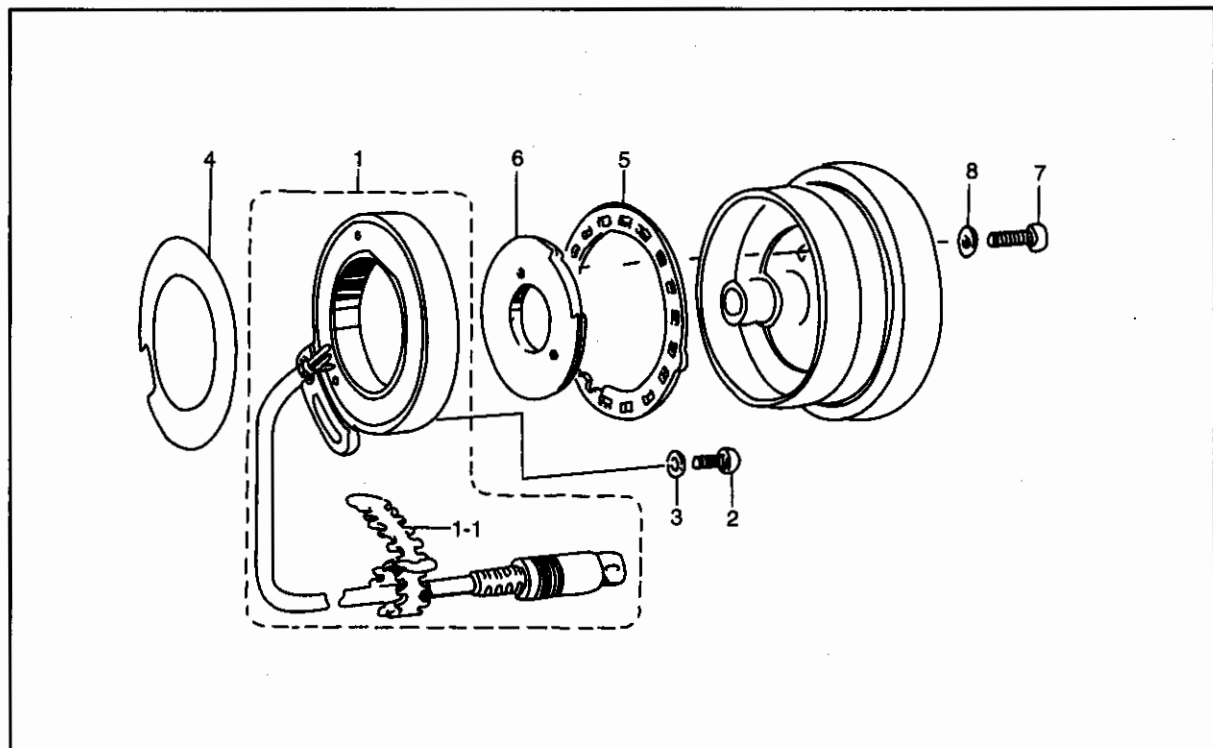
N1 夹线机构 / Threading mechanism

序号	件号	数量	名称	NAME OF PARTS	备注
1-1	201-0165	1	夹线器组件	UPPER THREAD TENSION ASSY,D	
1-1-1	201-0170	1	挑线簧螺栓	TENSION STUD	
1-1-2	B5-1040501	1	挑线簧 (左)	THREAD TAKE-UP SPRING L	
1-1-3	B5-1040502	1	挑线簧 (右)	THREAD TAKE-UP SPRING R	
1-1-4	201-0315	2	挑线导向器组件	TENSION SPRING GUIDE ASSY	
1-1-5	SL-6060632	1	导向器螺钉	SCREW,SM2.38	
1-1-6	201-0190	1	夹线螺母	TENSION NUT	
1-1-7	201-0250	1	松线板	TENSION RELEASE PLATE	
1-1-8	201-0260	1	松线板簧	SPRING,TENSION RELEASE	
1-1-9	SD-6090140	2	松线板螺钉	SHOULDER SCREW,SM3.57	
1-1-10	201-0280	1	松线针 (L)	PIN,TENSION RELEASE(L)	
1-1-11	201-0270	1	松线针 (R)	PIN,TENSION RELEASE(R)	
1-1-12	201-0220	4	夹线板	TENSION DISC	
1-1-13	201-0210	2	夹线板座	TENSION DISC PRESSER	
1-1-14	201-0200	2	夹线螺母	TENSION NUT	
1-1-15	201-0240	4	过线夹板	THREAD GUIDE DISC	
1-1-16	B4-12404	2	过线簧	SPRING,PRE-TENSION (A)	
1-1-17	201-0230	2	夹线螺母	TENSION NUT	
1-1-18	B4-17713	2	夹线簧	SPRING,TENSION ADJUST	
1-1-19	201-0080	1	挑线簧调整板	SPRING,SPRING STOPPER	
1-1-20	SS-4090540	1	螺钉	SCREW,PAN SM3.57-40 × 5	
1-1-21	201-0290	1	挑线簧导向板	SPACER	
1-1-22	201-0300	1	套环	COLLAR	
1-1-23	201-0380	1	夹线座	STOPPER SUPPORT	
1-1-24	201-0180	1	夹线套盖	ADJUST THUMB	
1-1-25	SS-2080640	1	螺钉	SET SCREW ₁ (CP)SM3.18	
2	201-0010	2	三眼线勾	THREAD RETAINER	
3	NS-81528	2	三眼线勾螺母	NT,SM5.95	
4	SS-3090840	1	挑簧螺栓紧固螺钉	SCREW,SM3.57	
5	201-0080	1	挑线簧调整板	TENSION SPRING STOPPER	
6	SS-4090540	1	挑线簧调整板螺钉	SCREW,PAN SM3.57-40 × 5	
7	201-0020	1	松线顶杆	TENSION RELEASE BAR	
8	SS-4110840	1	夹线器紧定螺钉	SCREW,PAN SM4.37-40 × 8	
9	201-0030	1	上过线勾	ARM THREAD GUIDE (U)	
10	201-0040	1	大过线勾	ARM THREAD GUIDE (M)	
12	SS-5090440	3	线勾螺钉	SCREW,FLAT SM3.57	
11	201-0440	1	导线架	ARM THREAD GUIDE (D)	
13	MZ-330807	1	导线架毛毡	FELT	

P 松线部件 / Tension release mechanism



T 传感器机构 / Synchronizer



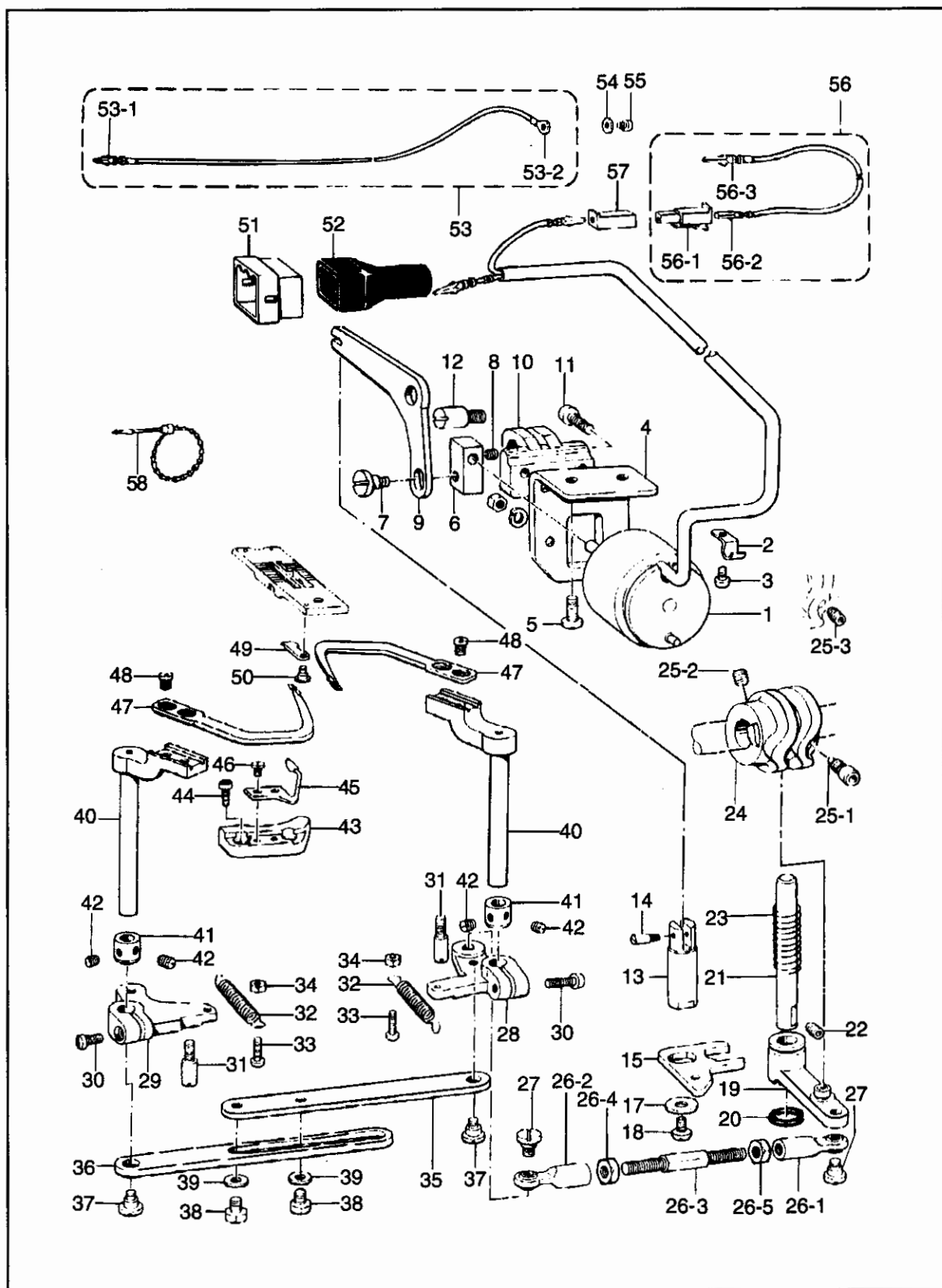
P 松线部件 / Tension release mechanism

序号	件号	数量	名称	NAME OF PARTS	备注
1	211-0125	1	松线钢丝部件	TENSION RELEASE CONNECTING ROD ASSY	
2	-----	2	开口挡圈	RETAINING RING, E3	
3	211-0250	1	松线钢丝接头	TENSION RELEASE WIRE	
4	GL6	2	松线钢丝调节螺母	NUT, SM4.76	
5	211-0190	1	四眼板	WIRE HOLDER BASE	
6	SS-7090840	2	四眼板固定螺钉	SCREW, PAN SM3.57-40 × 8	
7	211-0200	2	挡线板	TENSION RELEASE WIRE HOLDER (D)	
8	SS-4090540	4	挡线板固定螺钉	SCREW, PAN SM3.57-40 × 5	
9	211-0210	1	定位钩	WIRE HOLDER	
10	SS-4110840	1	定位钩固定螺钉	SCREW, PAN SM4.37-40X8	
11	211-0350	1	松线钢丝导向板	WIRE GUIDE	
12	SS-4120632	2	松线钢丝导向板螺钉	SCREW, PAN SM4.76-32 × 6	
13	211-0255	1	松线驱动装置	TENSION RELEASE LEVER ASSY	
14	211-0790	1	松线拨叉螺钉	SHOULDER SCREW, SM6.35	
15	211-0340	1	剪线驱动座复位簧	SPRING, TENSION RELEASE LEVER	
16	SS-4081040	1	松线拨叉定位螺钉	SCREW, PAN SM3.18-40 × 12	
17	NS-8080240	1	松线拨叉定位螺钉螺母	NUT, 1 SM3.18	

T 传感器机构 / Synchronizer

序号	件号	数量	名称	NAME OF PARTS	备注
1	-----	1	传感器部件	SYNCHRONIZER ASSY, #14G2	
1-1	-----	1	扣紧带	FASTENING BAND, 1.9 × 80	
2	SS-4121232	1	螺钉	SCREW, PAN SM4.76-32 × 10	
3	WP-05010	1	垫片	WASHER	
4	-----	1	绝缘片	INSULATION SHEET	
5	-----	1	编码器	SPEED COMMAND PLATE	
6	-----	1	针杆上位置检测板	NEEDLE UPPER PLATE	
7	SS-5111640	2	螺钉	SCREW, PAN SM4.37-40 × 16	
8	WP-04708	2	垫片	WASHER	

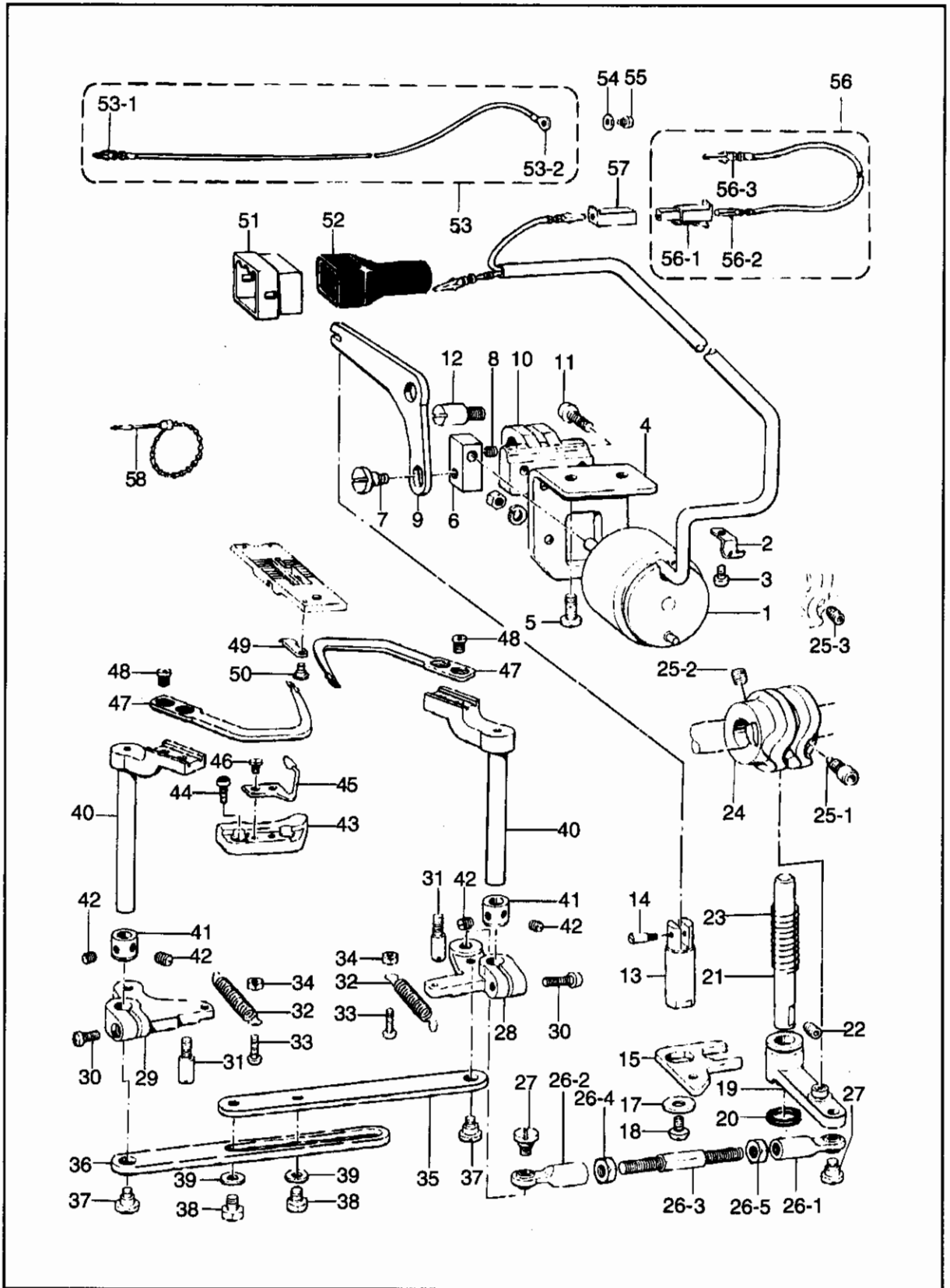
Q 自动剪线机构 / Thread trimmer mechanism



Q 自动剪线机构 / Thread trimmer mechanism

序号	件号	数量	名称	NAME OF PARTS	备注
1	211-0265	1	剪线电磁铁	THREAD RTIMMER SOLENOID	
2		1	电线压线板	CORD HOLDER	
3	SS-4090540	1	电线压板螺钉	SCREW,PAN SM3.57-40 × 5	
4	211-0860	1	剪线电磁阀座	THREAD TRIM.SOL. BRACKET	
5	SS-5161128	2	剪线电磁阀座固定螺钉	SCREW,SM6.35	
6	211-0870	1	剪线电磁阀连接块	THREAD TRIMMING SOLENOID JOINT	
7	SS-6110640	1	紧定螺钉	SHOULDER SCREW,SM4.37	
8	SS-7110440	1	紧固螺钉	SET SCREW,SOCKET(CP)SM4.37	
9	211-0830	1	剪线电磁阀曲柄	THREAD TRIMMING SOLENOID LEVER	
10	211-0850	1	剪线电磁阀曲柄座	THR.TRIM.SOL.LEVER BRACKET	
11	SS-5121032	2	曲柄座紧固螺钉	SCREW,PAN SM4.76-32 × 10	
12	211-0840	1	剪线曲柄轴	THREAD TRIM.SOL.LEVER STUD	
13	211-0640	1	剪线驱动轴	THREAD TRIMMING DRIVING ROD	
14	211-0650	1	剪线驱动轴销	PLUNGER PIN	
15	211-0780	1	松线拨叉	THR.TRIM.DRIVING ROD PLATE	
17	WP-05015	1	动刀拉杆调节螺钉垫圈	WASHER	
18	SS-4121232	1	剪线电磁铁组件安装螺钉	THR.TRIM.PAN SM4.76-32 × 10	
19	211-0275	1	拔线驱动板组件	KNIFE MAIN LEVER SHAFT	
20	WP-10510	1	减震垫片	RUBBER	
21	211-0380	1	剪线拉杆	KNIFE MAIN LEVER SHAFT	
22	211-0360	1	倒缝扳手螺柱	SET SCREW,SOCKET(CP)SM6.35	
23	B1-10412	1	剪线压簧	SPRING,COMPRESSION	
24	211-0140	1	剪线凸轮	THREAD TRIMMING CAM	
25-1	SS-7160740	1	螺钉	SET SCREW, SOCKET SM6.35	
25-2	SS-7161040	1	螺钉	SET SCREW,SOCKET(CP)SM6.35	
26	211-0245	1	剪线驱动拉杆组件	LENG.ADJ.CONNECTING ROD ASSY	
26-1	211-0770	1	剪线驱动拉杆 (右)	ROUND JOINT(R)ASSY	
26-2	211-0730	1	剪线驱动拉杆 (左)	ROUND JOINT(L)ASSY	
26-3	211-0750	1	螺纹连杆	LENGTH ADJUST CONNECTING ROD	
26-4	211-0740	1	连杆螺母 (左)	NUT,SM5.95	
26-5	211-0760	1	连杆螺母 (右)	NUT,SM5.95	
27	SS-6150628	2	剪线驱动拉连接螺钉	SHOULDER SCREW	
28	211-0730	1	剪线驱动拉杆 (右)	THREAD TRIMMING LEVER (R)	
29	211-0720	1	剪线驱动拉杆 (左)	THREAD TRIMMING LEVER (L)	
30	SS-4111240	2	剪线连接体螺钉	SCREW, PAN SM4.37-40 × 12	
31	SS-1120832	2	螺钉	STOPPER SCREW, SM4.76	
32	B2-05408	2	剪线复位弹簧	SPRING, EXTENSION	
33	SS-4090840	2	螺钉	SCREW, PAN SM4.37-40 × 14	
34	NS-8090340	2	螺母	NUT, 1 SM5.95	
35	211-0710	1	剪线连杆 (右)	THR.TRIM. CONNECTING ROL (R)	
36	211-0700	1	剪线连杆 (左)	THR.TRIM. CONNECTING ROL (L)	
37	SS-6110640	2	动刀拉杆连接螺钉	SHOULDER SCREW, SM4.37	
38	SS-6150628	2	剪线驱动拉杆连接螺钉	BOLT,SM4.76 × 7	
39	WP-05015	2	剪线驱动板紧固螺钉垫片	WASHER, PLAIN M4.76	

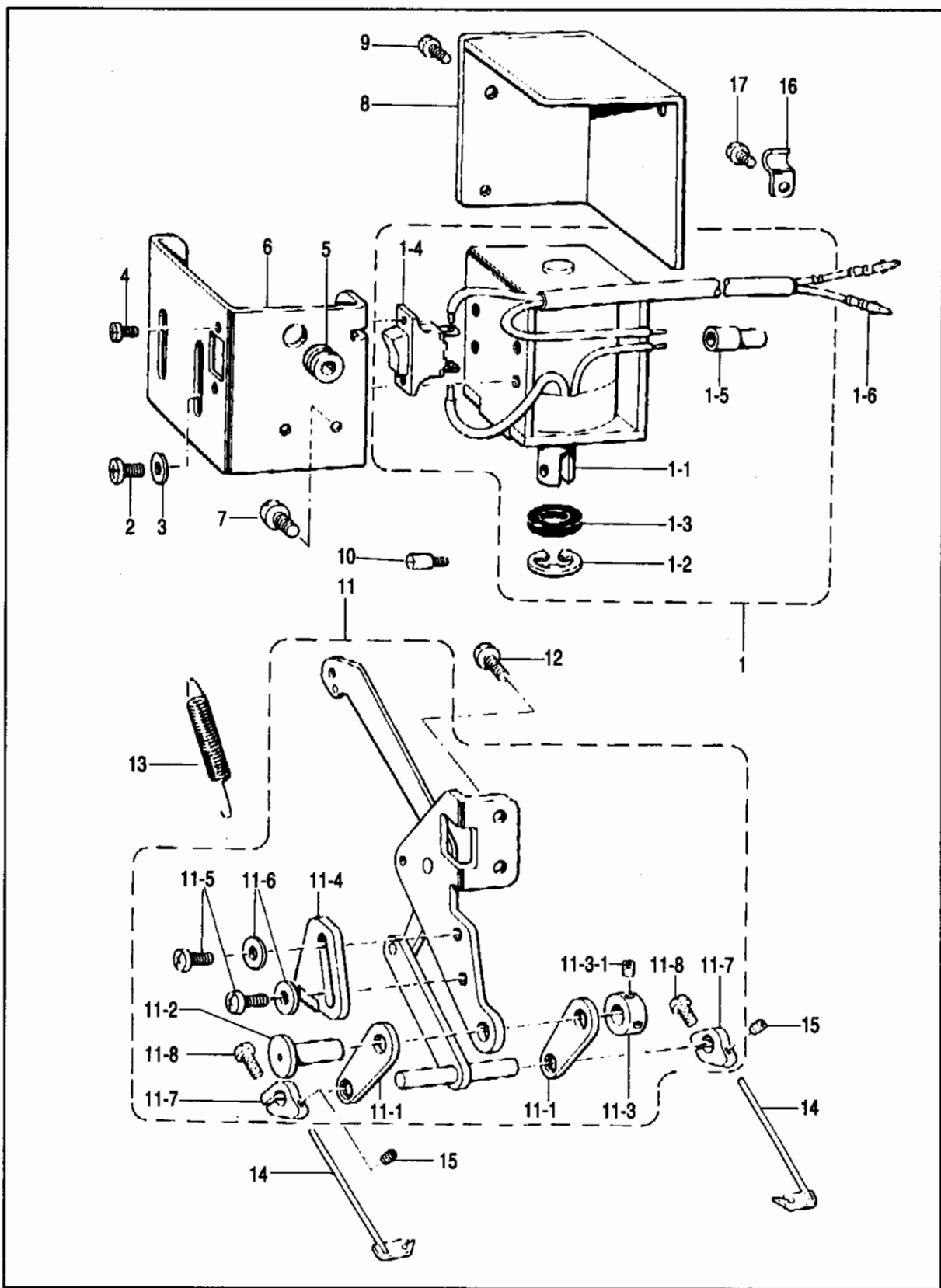
Q 自动剪线机构 / Thread trimmer mechanism



Q 自动剪线机构 / Thread trimmer mechanism

序号	件号	数量	名称	NAME OF PARTS	备注
40	211-0670	2	剪线刀座	MOVEBLE KNIFE LEVER	
41	RC-07912	2	止动挡圈	SET SCREW COLLAR	
42	SS-2160540	4	止动挡圈螺钉	SET SCREW,SM6.35	
43	211-0300	2	动刀护板座	MOVABLE KNIFE BRACKET	
44	SS-7090840	4	动刀护板座螺钉	SCREW,PAN SM3.57-40 × 8	
45	211-0310	2	动刀护板	SPRING,PLATE	
46	SS-6080344	4	动刀护板螺钉	SCREW,SM3.18	
47	211-0690	2	动刀	MOVABLE KNIFE	
48	211-0680	4	动刀紧固螺钉	SCREW,SM4.37	
49	211-0060	2	定刀	FIXED KNIFE	
50	SS-60600156	2	定刀紧定螺钉	SHOULDER SCREW.SM2.38	
54	-----	1	垫圈	WASHER	
55	-----	1	螺钉	SCREW,PAN SM4.37-40 × 6	
59	-----	1	垫圈	WASNER,PLAIN5	
51	-----	1	尼龙连接圈	NYLON CONNECTOR(12P)	
52	-----	1	插头罩	CONNECTOR CAP	
53	-----	1	地线组件	GROUND WIRE ASSY	
56	-----	1	W-线 组件	W-CORD(S)ASSY	
56-1	-----	1	连接器	CONNECTOR,(3191-01R1)	
56-2	-----	1	接头 (负极)	TERMINAL PIN (FEMALE)	
56-3	-----	1	接头 (正极)	TERMINAL PIN (MALE)	
57	-----	1	连接器	CONNECTOR(319-01p1)	
58	-----	2	紧固环	BEAD BAND	
47	211-0690	2	“备用零件” 动刀	“OPTION PARTS” MOVABLE KNIFE,HARD MATERIAL	
49	211-0060	2	定刀	FIXED KNIFE,HARD MATERIAL	

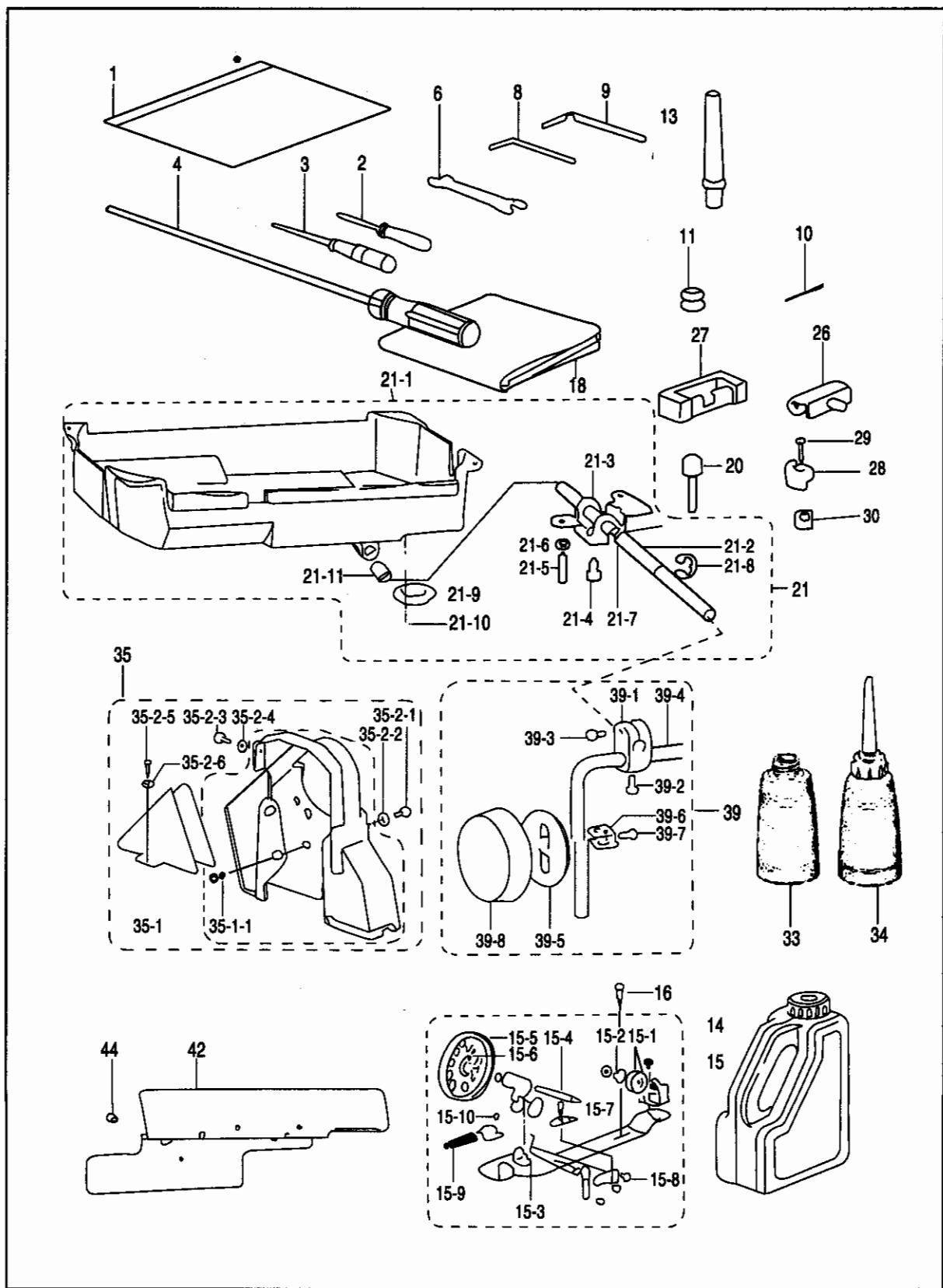
R 拔线机构(自动剪线)/Thread wipe mechanism(Thread Trimmer)



R 拔线机构(自动剪线) / Thread wipe mechanism (Thread Trimmer)

序号	件号	数量	名称	NAME OF PARTS	备注
1	211-0155	1	拔线电磁铁组件	THREAD WIPER SOLENOID ASSY	
1-1	-----	1	铁芯杆	PLUNGER	
1-2	-----	1	开口挡圈	RETAINING RING, E9	
1-3	-----	1	橡胶垫圈	PLUGER RUBBER	
1-4	-----	1	拔线开关	THREAD WIPER SWITCH	
1-5	-----	1	连接器	CONNECTOR	
1-6	-----	2	接头(正级)	TERMINAL PIN (MALE)	
2	-----	4	螺钉	SCREW, PAN M4 × 10	
3	-----	4	垫圈	WASHER, PLAIN M4	
4	-----	2	螺钉	SCREW,PAN M3 × 6	
5	-----	1	过线套	CORD BUSH	
6	211-0480	1	拔线电磁铁底板	SOLENOID HOLDING PLATE	
7	SS-5161428	2	螺钉	SCREW, PAN SM4.37-40 × 8	
8	211-0470	1	拔线电磁铁盖板	SOLENOID COVER	
9	-----	3	螺钉	SCREW,PAN SM3.57-40 × 5	
10	211-0650	1	销钉	PLUNGER PIN	
11	211-0165	1	拔线机构组件	THREAD WIPER SOLENOID ASSY	
11-1	211-0510	2	线勾摆动板	THREAD WIPER LINK (C)	
11-2	211-0520	1	线勾摆动板销	THREAD WIPER LINK STUD	
11-3	211-0550	1	挡圈	SET SCREW COLLAR	
11-3-1	SS-7080444	2	拔线勾紧固螺钉	SET SCREW, SOCKET (CP) SM4.37	
11-4	211-0500	1	拔线阻块	STOPPER	
11-5	SS-5120828	2	螺钉	SCREW, PAN SM4.67-32 × 8	
11-6	WP-05108	2	垫圈	WASHER, PLAIN M4.76	
11-7	211-0560	2	拔线勾座	THREAD WIPER SUPPORT	
11-8	SS-5081244	2	拔线勾座固定螺钉	SCREW, PAN SM3.18-40 × 12	
12	SS-4121232	2	螺钉	SCREW, PAN SM4.76-32 × 10	
13	211-0580	1	拔线弹簧	THREAD WIPER SPRING	
14	211-0620	2	拔线勾柄	THREAD WIPER	
15	SS-7080444	2	螺钉	SET SCREW, SM3.18	
16		1	电线夹	CORD HOLDER	
17	SS-7110440	1	螺钉	SCREW, PAN SM3.57-40 × 5	

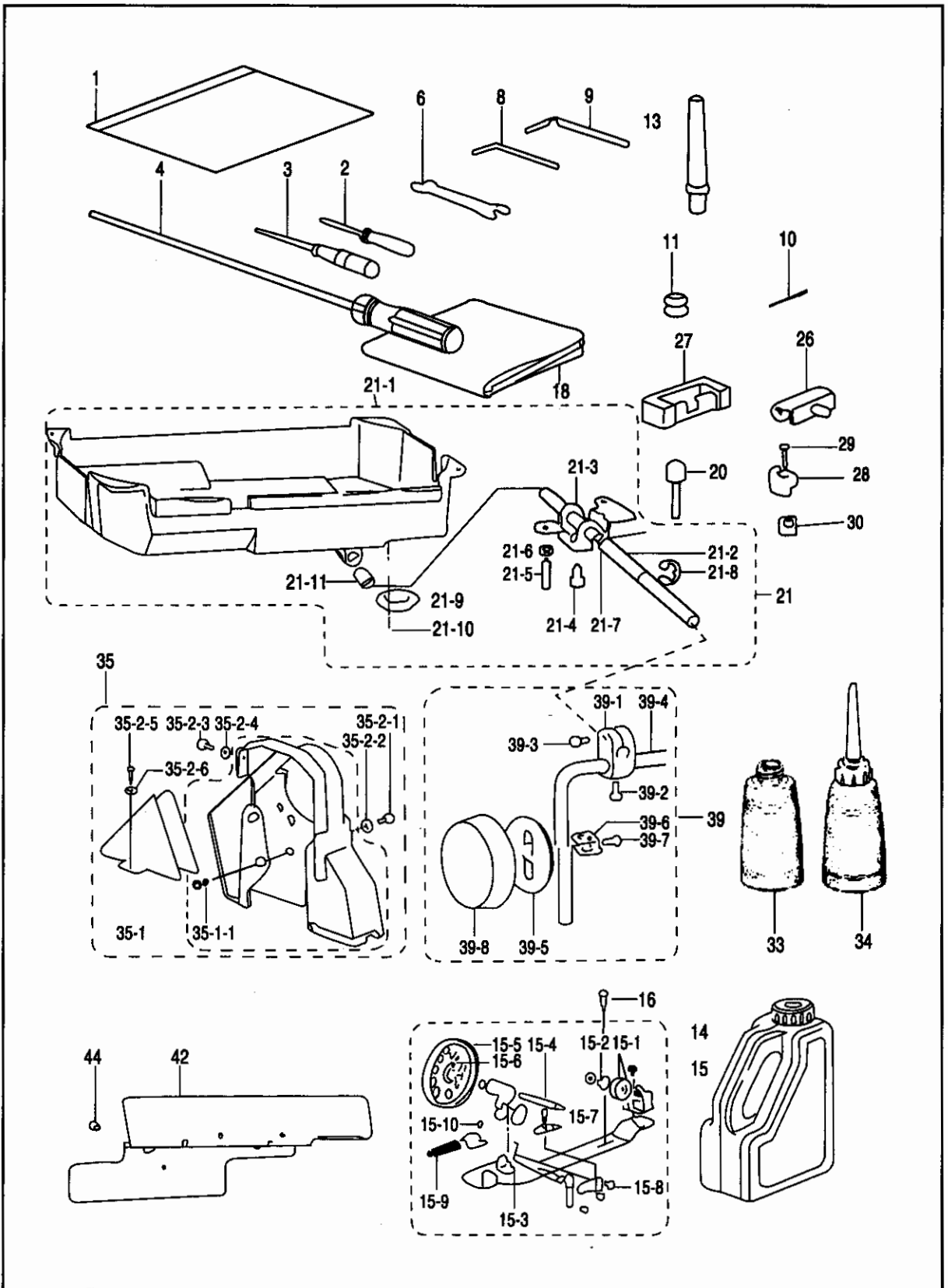
Z1 附件关系 / Accessories



Z1 附件关系 / Accessories

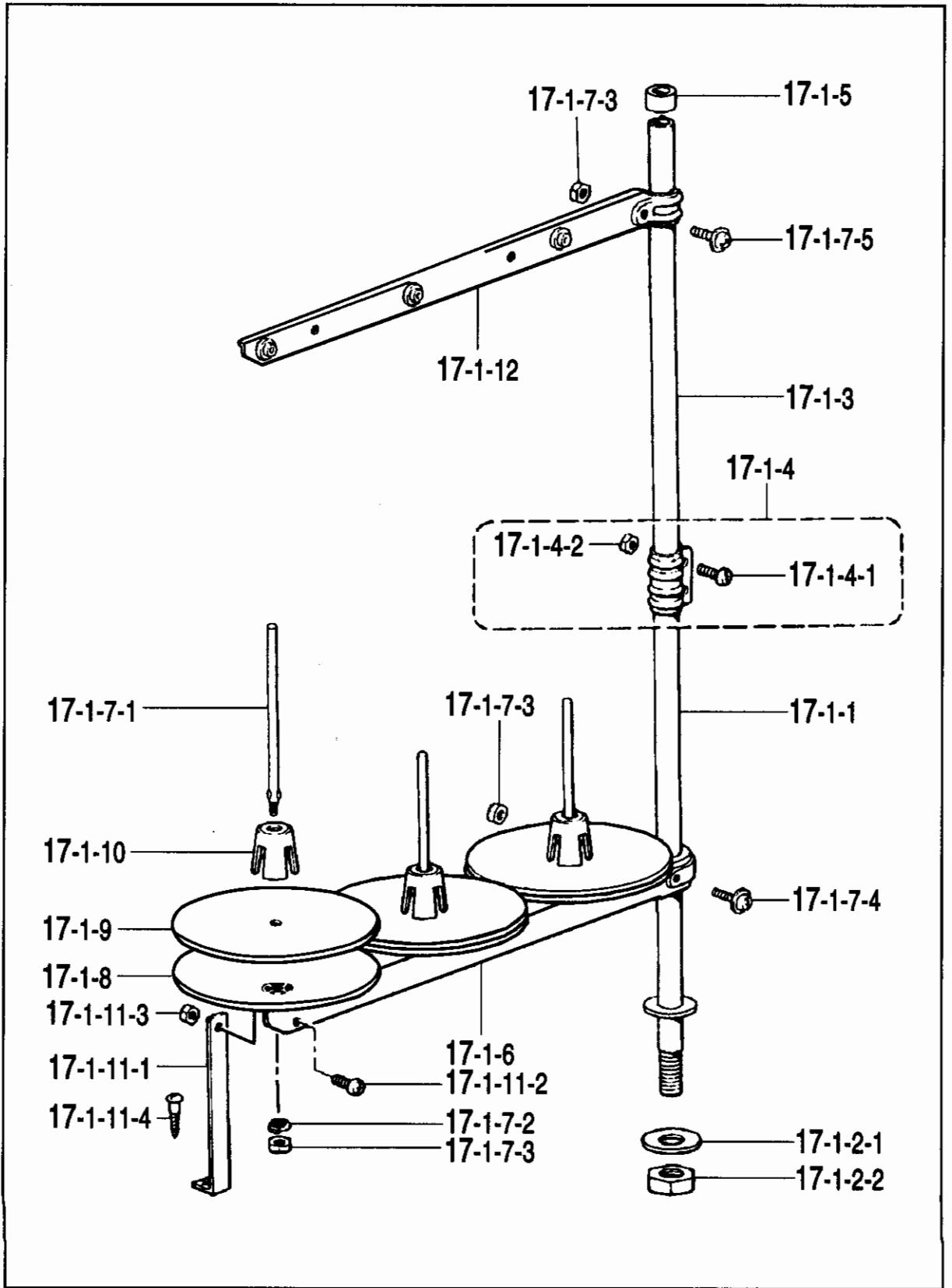
序号	件号	数量	名称	NAME OF PARTS	备注
1	201-2640	1	附件袋	ACCESSORY BAG	
2	GR703-8	1	螺丝刀(小)	SCREW DRIVER, 1.9 × 52	
3	GR702-8	1	螺丝刀(中)	SCREW DRIVER, 3.4 × 70	
4	GR701-8	1	螺丝刀(大)	SCREW DRIVER, 4.7 × 250	
8	-----	1	六角扳手(小)	HEXAGONAL WRENCH 2	
9	-----	1	六角扳手(大)	HEXAGONAL WRENCH 3	
10	-----	4	<“-3”用> 机针 DPX5(#14)	<FOR “-3”> NEEDLE DPX5(#14)	
10	-----	4	<“5”用> 机针 DPX5(#22)	<FOR “-5”> NEEDLE DPX5(#22)	
11	201-1180	4	<标准件> 梭芯	<FOR STANDARD> BOBBIN, ST	
13	201-2620	1	机头支柱	HEAD REST	
14		1	油壶	OIL TANK	
15		1	绕线器组件	BOBBIN WINDER ASSY	
15-1		2	过线夹线板	TENSION DISC	
15-2		1	过线夹线簧	TENSION SPRING	
15-3		1	弹簧	SPRING	
15-4		1	绕线轴	BOBBIN WINDER SHAFT	
15-5		1	绕线轮	BOBBIN WINDER	
15-6		1	螺钉	SET SCREW, (FT) SM4.37 × 5	
15-7		1	螺钉	SCREW, SM3.18	
15-8		1	螺钉	SHOULDER SCREW, SM3.18	
15-9		1	止动橡皮	BOBBIN WINDER WHEEL STOPPER	
15-10		1	螺钉	SCREW, PAN SM3.57-40 × 3.5	
16	GBS204-8	2	木制螺钉	WOOD SCREW, ROUND M5.5 × 20	
18	201-2640	1	机头罩	HEAD COVER	
20	201-2125	1	膝控提升顶杆	KNEE LIFER COMPLYING BAR	
21	201-2075	1	油盘组件	OIL PAN ASSY	
21-1	201-2080	1	油盘	OIL PAN	
21-2	201-2100	1	膝控铰链轴	KNEE LIFTER SHAFT	
21-3	GR905-8	1	膝控限位架	KNEE LIFTER	
21-4	GS484-8	1	膝控限位架螺钉	BOLT, SM5.95	
21-5	GS505-8	2	膝控限位调节螺钉	SET SCREW, SM5.95	
21-6	GL204-8	2	膝控限位调节螺母	NUT, SM5.95	
21-7	GW217-8	1	膝控复位圈	TWIST SPRING	
21-8	GO344-8	1	开口挡圈	RETAINING RING, E10	
21-9	201-2110	1	排油圈	DRAIN	
21-10	SS-4090540	2	排油圈螺钉	SCREW, PAN SM3.57-40 × 5	
21-11	201-2090	2	油盘轴套	RUBBER RING	

Z1 附件关系 / Accessories



Z1 附件关系 / Accessories





序号	件号	数量	名称	NAME OF PARTS	备注
26	GR993-8	2	机头勾座	HEAD HINGE	
27	GO321-8	2	橡皮垫	RUBBER CUSHION	
28	GR940-8	4	机头防震垫块	HEAD CAUSHION	
29		8	钉子	NAIL	
30		1	油盘橡胶垫	OIL PAN CAUSHION	
33	201-2630	1	小油壶	OILER	
34		1	油壶组件	OILER ASSY	
35	201-2655	1	上皮带护罩组件	BELT COVER ASSY	
35-1	201-2660	4	上皮带防护罩	BELT COVER COLLAR ASSY	
35-1-1	201-2670	4	上皮带防护罩橡胶圈	RUBBER COLLAR	
35-2-1	SS-4122032	4	上皮带防护罩固定螺钉	SCREW, PAN SM4.76-32 × 20	
35-2-2	WP-05510	1	螺钉垫圈	WASHER, PLAIN L5	
35-2-3	SS-4110840	1	上皮带防护罩固定螺钉	SCREW, PAN SM4.37-40 × 8	
35-2-4	WP-04710	2	螺钉垫圈	WASHER, PLAIN M4.37	
35-2-5	GBS204-8	2	下皮带防护罩木螺钉	WOOD SCREW, ROUND M5.5 × 20	
35-2-6		1	木螺钉垫圈	WASGER, PLAIN S5.56	
39		1	膝控碰块配件	KNEE LIFTER ASSY	
39-1	GR926-8	1	碰块弯杆接头	KNEE LIFTER JOINT	
39-2	GS508-6	1	弯杆接头支头螺钉	BOLT, SM7.94	
39-3	GS506-8	1	弯杆接头锁紧螺钉	BOLT, SM5.95 × 20	
39-4	GZ286-8	1	膝控碰块弯杆	KNEE LIFTER BAR	
39-5	GR894-8	1	膝控碰块	KNEE LIFTER PLATE	
39-6	GR895-8	1	碰块架	KNEE LIFTER PLATE STOPPER	
39-7	GS503-8	1	碰块垫螺栓	BOLT, SM5.95	
39-8	GR931-8	1	碰块垫	KNEE LIFTER PLATE VOVER	
42	211-0030	1	支承板	HB SETTING PLATE #3	
44	SS-4111040	3	螺钉	SCREW, PAN SM4.37-40 × 12	



Z2 附件关系 / Accessories

序号	件号	数量	名称	NAME OF PARTS	备注
		1	<标准件>	<FOR STANDARD>	
17-1		1	线架组件	COTTON STAND ASSY(3D)	
17-1-1		1	线架下撑管焊接件	COLUMN PIPE(D)	
17-1-2		1	螺钉装置	PIPE SCREW SET(A)	
17-1-2-1	GO336-8	1	线架下撑管垫圈	WASHER,PLAIN 16	
17-1-2-2	GL206-8	1	线架下撑管螺母	NUT,5/8	
17-1-3	GZ285-8	1	线架上撑管	COLUMN PIPE	
17-1-4	GR900-8	2	撑管夹组件	COLUMN JOINT ASSY	
17-1-4-1	GS462-8	2	撑管夹螺钉	SCREW,PAN M5 × 14	
17-1-4-2	GL207-8	1	撑管夹螺母	NUT,1M5	
17-1-5	GO318-8	1	线架上撑管套	COLUMN CAP	
17-1-6	201-2590	1	下过线架	SPOOL HOLDER 3	
17-1-7		3	线盘钉装置	SPOOL SCREW SET 3	
17-1-7-1	GO370-8	3	线盘钉	SPOOL SHAFT (B)	
17-1-7-2	GO338-8	5	线盘弹簧垫圈	WASHER,SPRING 2-5	
17-1-7-3	GL207-8	5	撑管夹螺母	NUT,1 M5	
17-1-7-4	GS463-8	1	撑管夹下螺钉	SCREW,PAN (P WASHER)M5 × 32	
17-1-7-5	GS462-8	1	撑管夹上螺钉	SCREW,PAN (P WASHER)M5 × 14	
17-1-8	GR720-8	3	线盘	SPOOL STAND BASE	
17-1-9	GR750-8	3	线盘软垫	SPOOL MAT	
17-1-10	GR927-8	3	线塑撑架	SPOOL CUSHION	
17-1-11		1	插线架拖架装置	HOLDER SUPPORT (A) SET	
17-1-11-1	201-2600	1	插线架拖架	SPOOL HOLDER SUPPORT (A)	
17-1-11-2		1	插线架拖架螺钉	SCREW,PAN M5 × 10	
17-1-11-3	GL207-8	1	插线架拖架螺母	NUT,1 M5	
17-1-11-4	GBS204-8	1	木螺钉	WOOD SCREW,ROUND M4.5 × 22	
17-1-12	201-2610	1	上过线架	THREAD HANGER ASSY 3	

Wa 警告标志 / Warnng labels

序号		名称	尺寸	代号
1		Label, operation Eng.	40x64	
2		危险标志 Mark, injury	L=16 R=0.8	
3		箭头标志 Mark, arrow	10X30	
4		接地标志 Mark, grounding	Ø12	